



atriadesigns.ca
604-428-1818
sales@atriadesigns.ca

SUNWING® Casa
The sleek 360° parasol



SUNWING® CASA



Material and technology

- Frame:** 8-part made from aluminium with crank mechanism for opening and adjusting the roof inclination comfortably, up to 45° on both sides. The mast profile is round, 55 x 2.5 mm.
- Frame colour:** anodized natural or anthracite powder-coated
- Frameform:** round, rectangular or square
- Shade cover: *** self-tautening thanks to the flexible strut ends, available in material class 5 (100 % polyacrylic approx. 300 g/m²), material class 4 (100 % polyester approx. 250 g/m²)
- Flounce:** not available
- Protective cover:** included in the standard equipment
- * This model is also available in material class 2: Polyester, UV protection > 98%



Application



Fixations

SUNWING® Casa
© Int. Design reg.



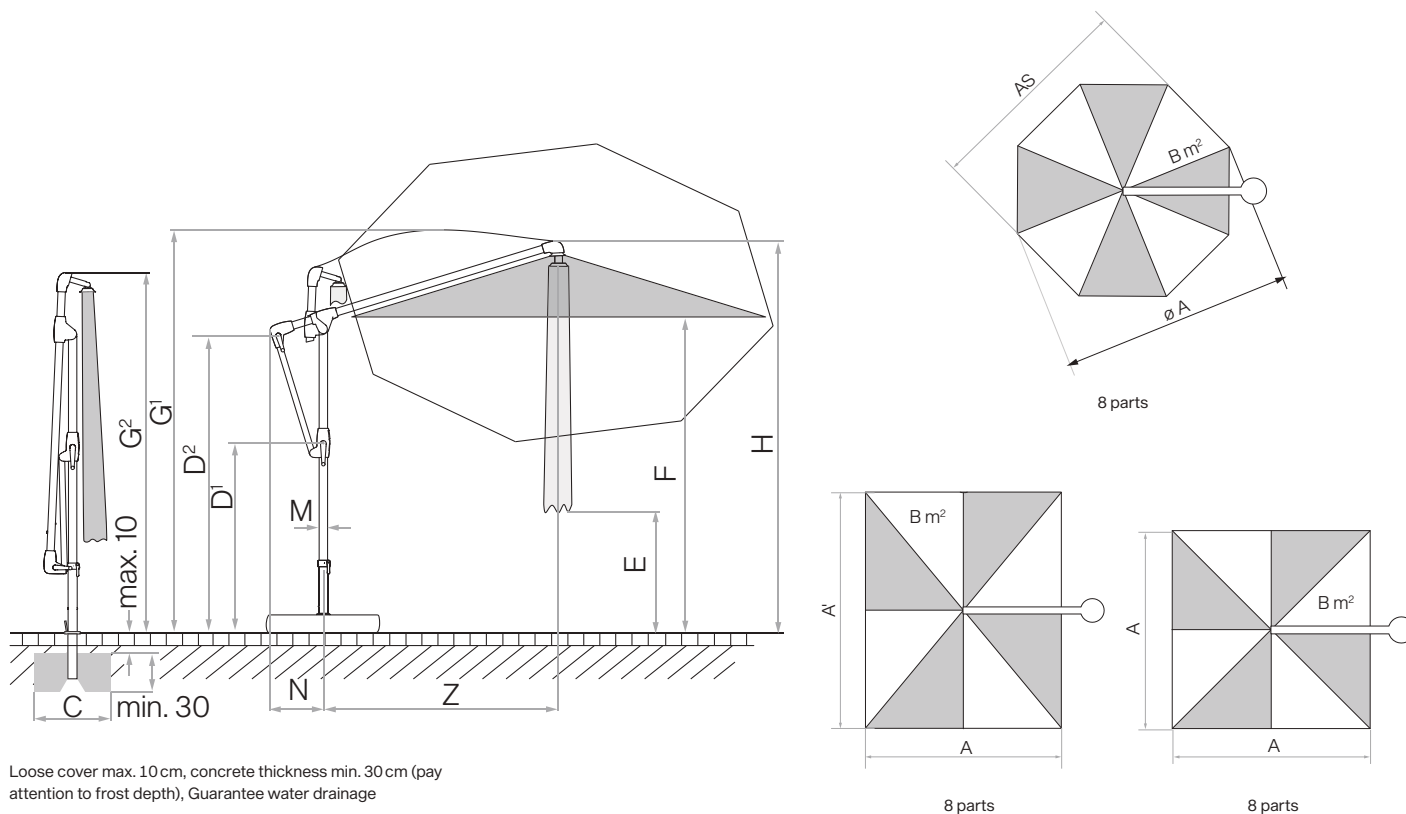
Assortment

Nominal size	Order no. Frame anodized natural	Order no. Frame anthracite
○	without flounce	without flounce
Ø 300 ⁸	056 00 300 171	056 00 300 301
Ø 330 ⁸	056 00 330 171	056 00 330 301
□		
300×240 ⁸	056 00 302 171	056 00 302 301
□		
270×270 ⁸	056 00 271 171	056 00 271 301

Nominal size	Lateral distance	Mast Ø	Area covered	Crank height	Height closed	Clear headroom	Total height	Height open	Overhang at the back	Length of free-arm	Foundation	Minimum weight for base	max. wind speed open perm.
cm	cm	cm	m ²	cm	cm	cm	cm	cm	cm	cm	cm	kg	km/h (wind force)
A	AS	M1	B	D ¹ / D ²	E	F	G ¹ / G ²	H	N	Z	C		
Ø 300 ⁸	276	5.5	6.4	125 / 195	75	205	265 / 245	255	35	160	60×60	90	35 (5)
Ø 330 ⁸	305	5.5	7.7	125 / 195	60	205	265 / 245	255	35	160	60×60	90	30 (5)
300×240 ⁸ -		5.5	7.2	125 / 195	35	205	265 / 245	255	35	160	60×60	90	35 (5)
270×270 ⁸ -		5.5	7.3	125 / 195	35	205	265 / 245	255	35	160	60×60	90	30 (5)

⁸ 8 parts

The listed measures represent extrapolated average values that may be slightly different on the product ($\pm 2\% \pm 5$ cm). The measures of the height are determined by the PX ground socket. If one of the offered bases is used, these measures change only slightly. With the base variant these vary slightly. With the variants with the ground sockets M4 and mounting plate M4/M8, the stated height dimensions vary by 12 – 13 cm. The max. wind speed limits as per our separate sheet apply only if the parasol canopy is in a horizontal position and if there is a fix ground anchorage. In the presence of several parasols, the minimum distance between one parasol and another and between parasols and walls shall be 20 cm.



Accessories

Fixing option Z (support tube Z absolutely necessary)		Order no.
1	Concrete base Z, 90 kg, Ø 75 × 11 cm	350 01 109 523
	1 pallet (10 pieces) concrete base Z, 90 kg, Ø 75 × 11 cm	350 01 109 535
2	Natural granite base Z, 90 kg, 64 × 64 × 9 cm, natural stone	350 01 109 515
3	Support tube Z, Ø 48 / 55 mm, galvanised steel	350 01 201 210
3	Support tube Z, Ø 48 / 55 mm, galvanised steel, anthracite powder-coated	350 01 201 282
3	Support tube Z, Ø 48 / 55 mm, high-grade steel 1.4301 / 304	350 01 201 300
³ Base with castors Z (support tube Z absolutely necessary)		
4	Base with castors Z, 90 kg, 80 × 80 × 12.5, cast concrete decor	350 01 102 800
	1 pallet (5 pieces) base with castors Z, 90 kg, Ø 80 × 80 × 12.5 cm, cast concrete decor	350 01 102 850
Fixing option PX (Connection tube PX absolutely necessary)		
5	Ground socket PX, galvanised steel	350 01 207 001
5	Ground socket PX, high-grade steel 1.4301 / 304	350 01 207 011
6	Connection tube PX, Ø 48 / 55 mm, galvanised steel	350 01 206 001
7	Connection tube PX, Ø 48 / 55 mm, galvanised steel, anthracite powder-coated	350 01 206 082
6	Connection tube PX, Ø 48 / 55 mm, high-grade steel 1.4301 / 304	350 01 206 011
Fixing option M4 (support tube M4 absolutely necessary)		
8	Base M4, 120 kg, (for 8 plates 40 × 40 × 4 cm), 91 × 91 × 11.5 – 15.5 cm, galvanised steel (adjustable and levellable) (price without plates)	350 01 108 235
9	Cover for M4 base, 120 kg, 96 × 96 × 11.5 cm, plastic ABS coated, anodized aluminium look	350 01 100 617
10	Cover for M4 base, 120 kg, 96 × 96 × 11.5 cm, plastic ABS coated, anthracite	350 01 100 630
	Set of castors for base M4 (maximum weight 240 kg), Ø 5 cm, H= 5.5 cm, galvanised steel	350 01 100 500
11	³ Granite base M4, 120 kg, 90 × 90 × 17 cm, natural stone with castors	350 01 109 475
12	Ground socket M4, galvanised steel	350 01 226 510
13	Mounting plate M4 / M8, 30 × 30 × 1.5 cm, galvanised steel	350 01 226 921
14	Mounting plate M4 special, for installation height 50 – 149 mm, galvanised steel	350 01 226 932
15	Mounting plate M4 special, for installation height 150 – 350 mm, galvanised steel	350 01 226 930
	Mounting plate M4 for isolated grounds, installation height made to measure, high-grade steel 1.4301 / 304	350 01 229 730
16	Wall console M4, extension 480 mm, galvanised steel	350 01 229 405
17	Support tube M4, Ø 48 / 55 mm, galvanised steel	350 01 200 035
Slabs for base M4		
	Slab set, 8 pieces, 40 × 40 × 4 cm, (ca. 110 kg), concrete	350 01 226 908
	Slab set, 8 pieces, 40 × 40 × 4 cm, (ca. 115 kg), 4 pieces concrete, 4 pieces in granite-look	350 01 226 909
Protective cover made of coated, tear-resistant polyester fabric		
18	Protective cover with zip and rod	350 01 609 702
	5 pieces, protective cover with zip and rod	350 01 609 703
Miscellaneous items		
19	OSYRION Spot LED battery-powered light, set of 2, with remote control, including charger	350 01 563 000
20	OSYRION Spot LED battery-powered light, set of 4, with remote control, including charger	350 01 563 100

³ only suitable for smooth, joint free surface coverings







Glatz AG
Parasols
2022 Season

[glatz.com](https://www.glatz.com)

