

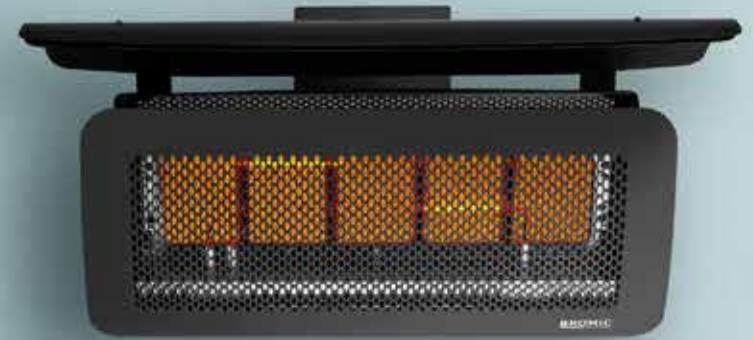


[atriadesigns.ca](http://atriadesigns.ca)  
604-428-1818  
[sales@atriadesigns.ca](mailto:sales@atriadesigns.ca)

## TUNGSTEN SMART-HEAT™ GAS

---

Our Tungsten Smart-Heat™ Gas heater has a durable, soft flowing curved fascia and engineered body, which produces formidable heat to create a truly comfortable outdoor space. Its easy pivot arm allows for greater positioning and directional heat control. This heater also has a range of accessories available to provide versatility in mounting & controller options.



500 SERIES



300 SERIES

# SPECIFICATIONS

Reference the specification guide below to help you select the correct solution for your needs.

MODEL NUMBER	300 SERIES	500 SERIES
PRODUCT CODE	BH0210002-1   BH0210001-1	BH0210004-1   BH0210003-1
FUEL TYPE	LPG   NG	LPG   NG
COLOR	BLACK	BLACK
HEAT AREA	160FT <sup>2</sup>	215FT <sup>2</sup>
ELECTRICAL CONNECTION	110V/2A	110V/2A
MINIMUM FLOOR CLEARANCE	96"	96"
OUTPUT	26,000 BTU	43,000 BTU

## MOUNTING OPTIONS

CEILING MOUNT	✓	✓
WALL MOUNT	✓	✓
RECESSED   FLUSH MOUNT	-	-
CEILING POLE MOUNT	✓	✓
FREESTANDING	-	-

## CONTROL OPTIONS

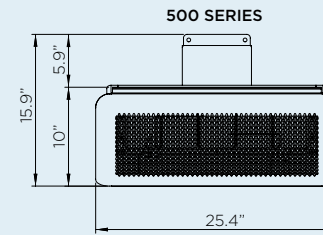
ON   OFF	✓	✓
ON   OFF PRODUCT CODE	BH3130010-1	BH3130010-1
DIMMER	-	-
MASTER REMOTE	-	-

Measurements displayed within this catalogue are minimum requirements for installation. Bromic takes no responsibility for incorrect or non-compliant installations. All measurement in this catalogue are displayed in inches.

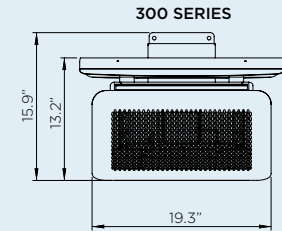
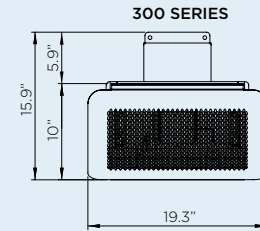
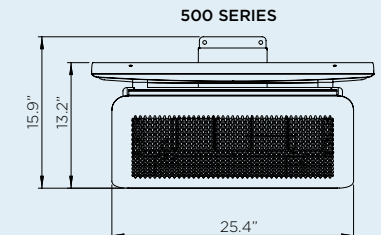
# DIMENSIONS

With a wide range of sizes available, find the ideal heater to suit your outdoor space.

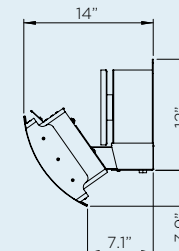
## FRONT PROFILE



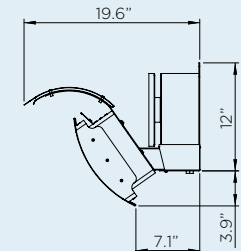
## + HEAT DEFLECTOR



## SIDE PROFILE



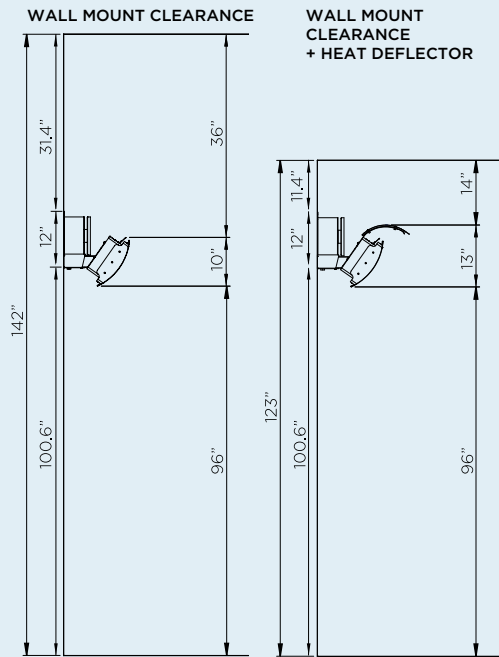
## + HEAT DEFLECTOR



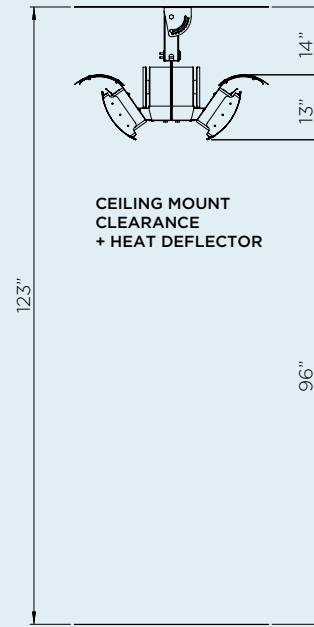
# MOUNT OPTIONS

With a wide array of mounting options, Bromic offers solutions to compliment any décor and provide functionality for ambiance and comfort.

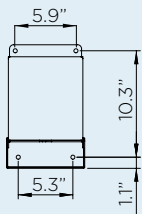
## WALL MOUNT



## CEILING MOUNT



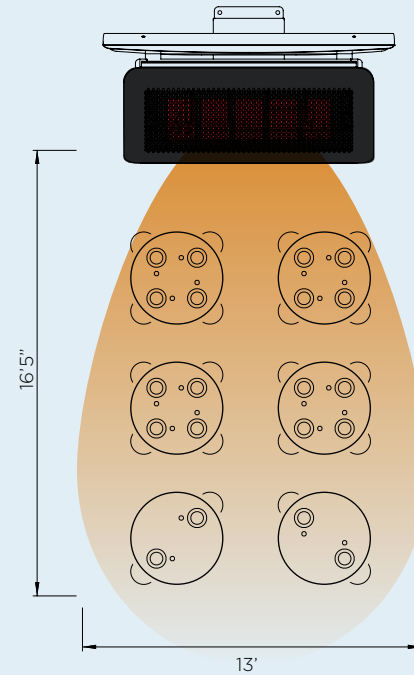
## WALL BRACKET



# HEATING REACH

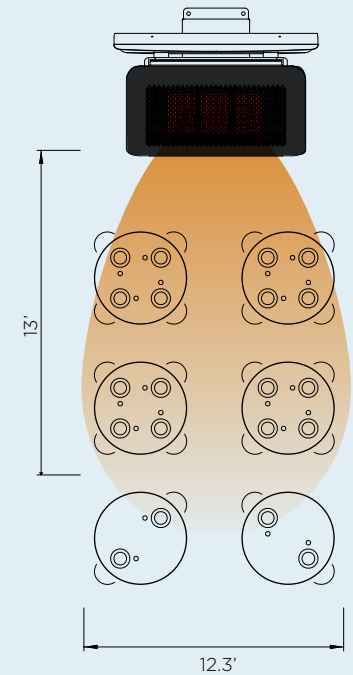
Creating ideal comfort levels, Bromic heaters offer a variety of heat distribution options to suit your outdoor heating needs.

## 500 SERIES



HEATING APPROXIMATELY 215FT<sup>2</sup>  
43,000 BTU HEATING POWER

## 300 SERIES



HEATING APPROXIMATELY 160FT<sup>2</sup>  
26,000 BTU HEATING POWER

## CONTROL OPTIONS



ON | OFF CONTROL

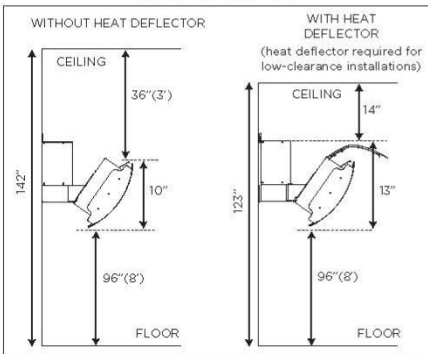


MASTER REMOTE

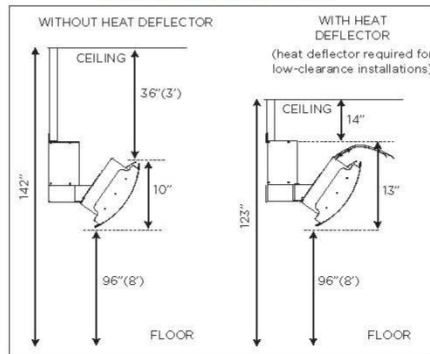
## FEATURES:

- Universal bracket — easy upgrade from 300 to 500 model. No additional plumbing or wiring required.
- Bi-directional easy-pivot arm — 25° rotation each side.
- Electronic ignition — one or multiple units can be switched on and off simultaneously from a single remote-located switch.
- Automatic re-ignition — should the heater not re-ignite for any reason, the integrated “Flame Failure safety Shut-off Control” turns the heater off immediately.
- Stainless steel casing — components are protected from tampering. Assists in preventing dirt and dust from accumulating on the wiring and components.

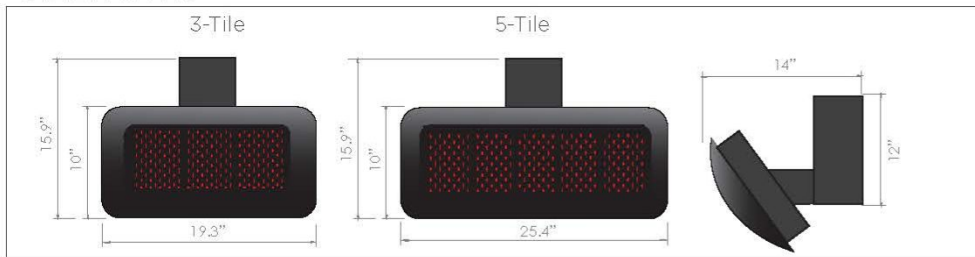
## MINIMUM INSTALLATION CLEARANCES WALL MOUNTING



## MINIMUM INSTALLATION CLEARANCES CEILING MOUNTING



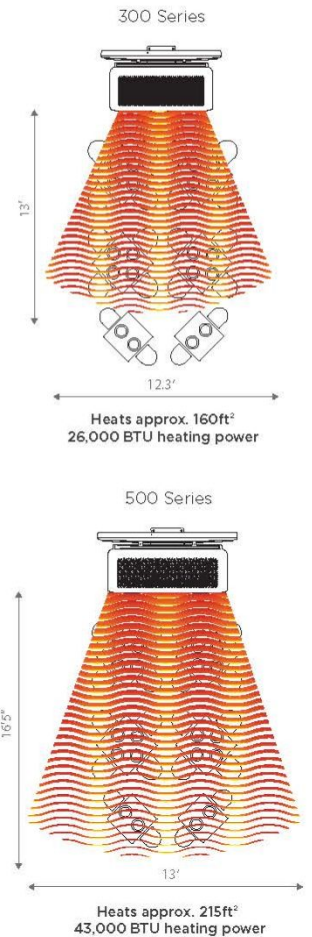
## DIMENSIONS



SPECIFICATIONS			
Model		300	500
Part no.	LPG <sup>1</sup>	BH0210002-1	BH0210004-1
	Natural Gas <sup>1</sup>	BH0210001-1	BH0210003-1
Heat Deflector part no.		BH3030011	BH3030012
Ceiling Pole		5 pole lengths to suit ceiling heights of 10.5', 11.2', 11.8', 12.5' and 13' (contact Bronic Heating for more information)	
Heat Output (on LPG and NG)		26,000BTU	43,000BTU
Approximate area heated (feet <sup>2</sup> )		160 ft <sup>2</sup>	215 ft <sup>2</sup>
Gas connection		1/2" NPT Female	1/2" NPT Female
Electrical connection		110 Volt/2A, 3-pin insulated plug	
Dimension (WxDxH)		19.3" x 15.9" x 14"	25.4" x 15.9" x 14"
Min. distance to combustible materials (without heat deflector) <sup>2</sup>		Sides: 36" (3')	
		Above (to ceiling): 36" (3')	
Min. distance to combustible materials (with heat deflector)		Above (to ceiling): 14"	
Mounting height requirement to ground <sup>3</sup>		96" (8')	
Weight (lb) Including wall bracket		47lbs	54lbs

<sup>1</sup>Must only be installed by a licensed technician. Must complete "Pre-Installation Checklist" before installing. <sup>2</sup>The temperature will not exceed 49°F above the ambient temperature. Please consult material manufacturer for temperature ratings. <sup>3</sup>8' or maybe lower depending on local regulations

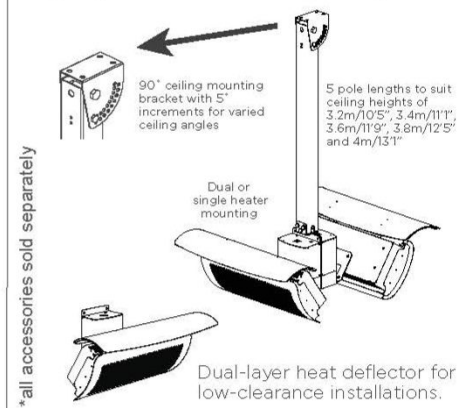
## HEAT AREA



\*Heat area dependent on ambient temperature and wind. Optimum conditions experienced at approx 60°F & in a low wind covered environment.

## ACCESSORIES\*

- Dual-directional ceiling pole
- Ceiling Pole Unit must be mounted 2.5m off the ground
- Dual-layer heat deflector (See part numbers in table below)

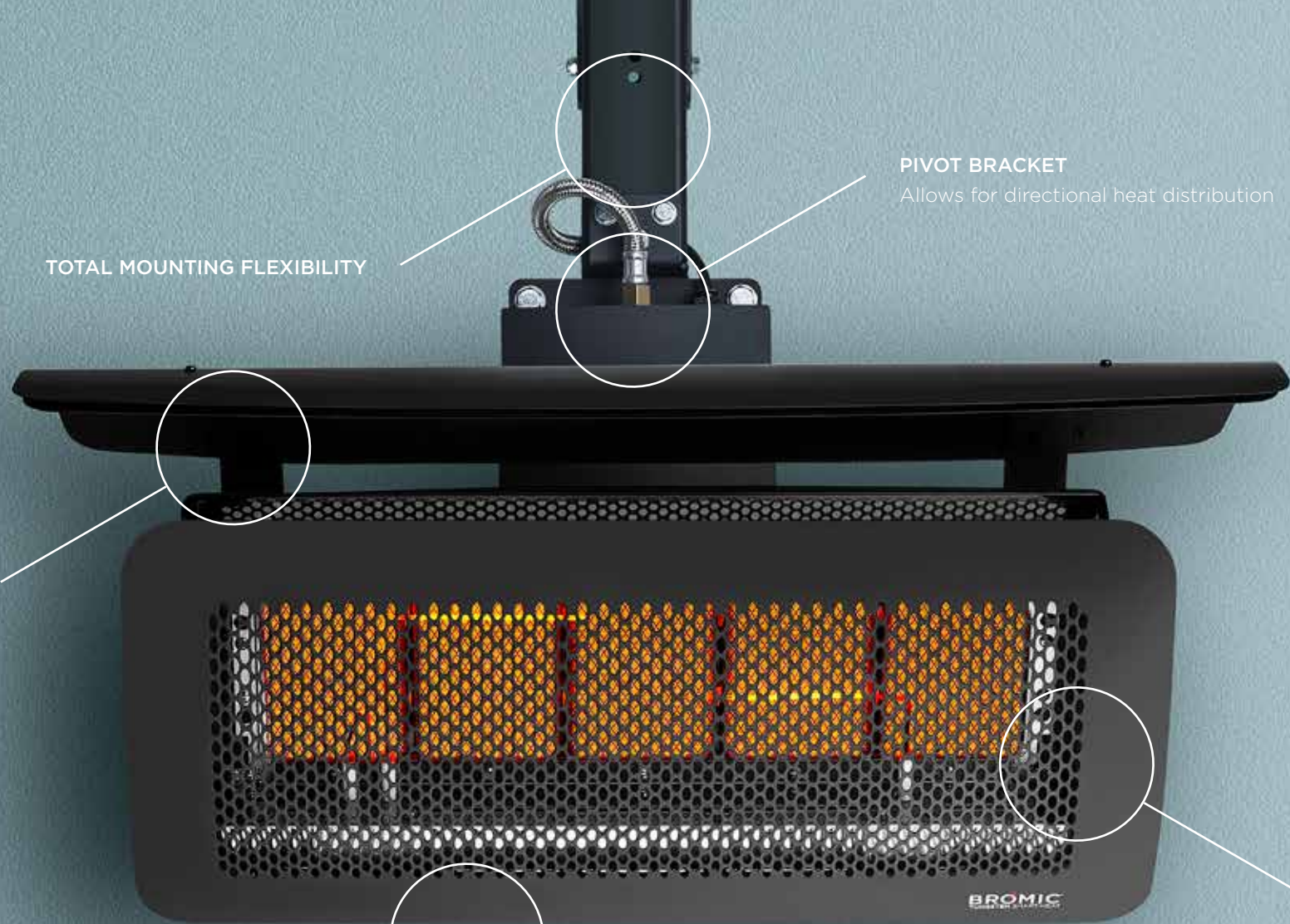


\*all accessories sold separately



EXTEND YOUR COMFORT OUTDOORS  
WITH THE SUPERIOR HEAT AND  
AWARD-WINNING DESIGN OF OUR  
SMART-HEAT™ OUTDOOR HEATERS.

---



**TOTAL MOUNTING FLEXIBILITY**

**PIVOT BRACKET**  
Allows for directional heat distribution

**PATENTED PERFORMANCE**  
Superior wind resistance

**UNIQUE DESIGN**  
Honeycomb fascia enables precise heat distribution

**HIGH PERFORMANCE CONSTRUCTION**  
Matte black stainless-steel body

**BROMIC.COM/HEAT**

ASIA PACIFIC | NORTH AMERICA | EUROPE

Bromic pursues a policy of continuing improvement in design and performance of its products. The right is therefore reserved to vary specifications without notice.