



atriadesigns.ca
604-428-1818
sales@atriadesigns.ca



TENDABOX



BALCONY & TERRACE
RIGID AND MULTI-PURPOSE BOX AWNING



TENDABOX BX3000



Round or square design



Drop down valance

- Sealed box protects from the elements
- Various mounting options to the wall, below the ceiling or to the frames
- Simple and proven installation system for hanging
- Awning incline adjustable from 0° to 85°
- Choice of square or round design
- Optional cover to hide cover roller shaft
- Optional drop down valance with rounded box: Acrylic cover to max. 3' 11" and Soltis 86/Soltis 92 to max. 5' 7" high. Improved winding thanks to the floating system (floating roller)
- Optional wall joint profile prevents rain water entering between façade and awning



min. 6' 5"
max. 21' 4"



min. 4' 11"
max. 13' 1"*

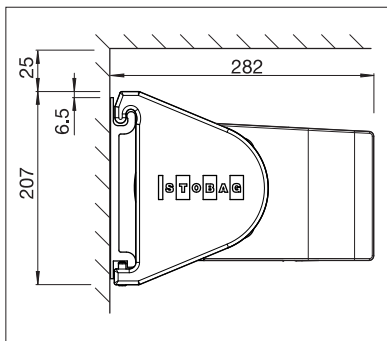
* with drop down valance max. 11' 6" projection;
with gearbox max. 19' 8" width x 11' 6" projection



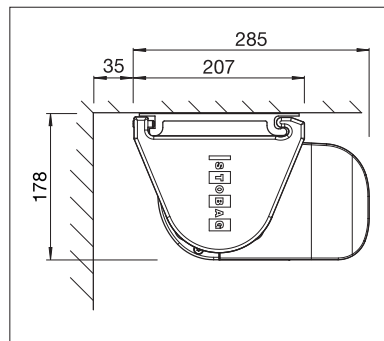
The wind resistance class can vary depending on version and dimension.



Technical dimensions in millimetres (1 mm = 0.03937")



Wall installation, Square design



Top installation, Round design



COLORS

Discover the diverse options when selecting frame colors.



FABRICS

Choose from a comprehensive range of materials and colors.



ELECTRICS

More convenience thanks to the automated control.