



[atriadesigns.ca](http://atriadesigns.ca)  
604-428-1818  
[sales@atriadesigns.ca](mailto:sales@atriadesigns.ca)

# CASABOX



BALCONY & TERRACE  
**SLIM BOX AWNING IN AN ELEGANT DESIGN**



# CASABOX BX2000



Square design



Round design

- Sealed box protects from the elements
- Various mounting options to the wall, below the ceiling or to the frames
- Simple and proven installation system for hanging
- Awning incline adjustable to 90° depending on installation
- Choice of square or round drop profile
- Optional cover profile for fittings
- Optional wall joint profile prevents rain water entering between façade and awning



min. 6' 2"  
max. 18' 1"\*



min. 5' 3"  
max. 9' 10"\*

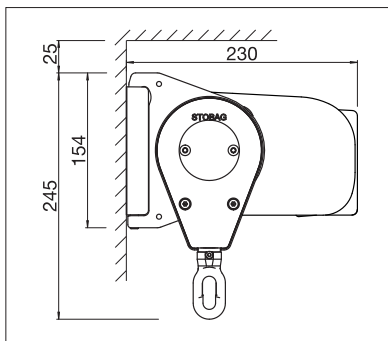
\* max. 16' 5" wide × 9' 10" projection  
\* max. 18' 1" wide × 8' 2" projection



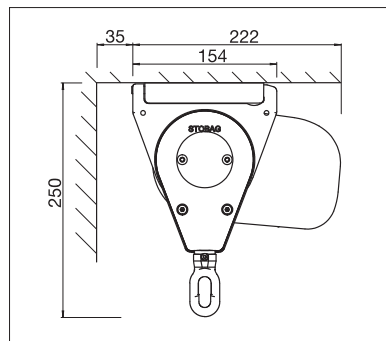
The wind resistance class can vary depending on version and dimension.



Technical dimensions in millimetres (1 mm = 0.03937")



Wall installation, square design



Top installation, round design



## COLORS

Discover the diverse options when selecting frame colors.



## FABRICS

Choose from a comprehensive range of materials and colors.



## ELECTRICS

More convenience thanks to the automated control.