

# ATRIA<sup>®</sup>

HOLISTIC OUTDOOR DESIGN

[atriadesigns.ca](http://atriadesigns.ca)  
604-428-1818  
[sales@atriadesigns.ca](mailto:sales@atriadesigns.ca)



AMBASSADOR

# OUTDOOR CONCEPTS GARDEN ELEMENTS



# OUR MISSION

Creating healthy spaces



Paul Renson

Renson® specialises in ventilation, sun protection and terrace coverings. With experience dating back to 1909 and a team of around 1200 employees, we have been developing solutions aimed at achieving a healthy and comfortable living and work environment for consumers. In doing so, we take into account energy-efficiency requirements and the use of renewable energy, as well as ease of maintenance. We offer complete solutions that can turn any home into a healthy and comfortable environment. This is what is behind our baseline, 'Creating Healthy Spaces'.

'In addition, we also think of the aesthetic value of each building. For example, our ventilation and sun protection systems can be integrated seamlessly. Our terrace coverings and aluminium wall-cladding blades add clear accents that enhance the architecture. Inside, we ensure that doors are integrated invisibly, without obtrusive frames or visible hinges.'

---

**Ontdek hoe Renson® producten de comfortbeleving kunnen optimaliseren binnen een hedendaags design.**

---

*"We don't just develop innovative solutions; we also think of ways to contribute aesthetic added value to each building."*



# TABLE OF CONTENTS

## **INTRO**

Why Renson® garden elements? p. 5

## **GARDEN ELEMENTS**

### **SEATING AND PLANTING ELEMENTS**

**Linarte® Modulo** p. 8  
Linarte® 55 p. 8  
Linarte® 97 p. 8  
Linarte® Combination p. 8

### **OUTDOOR LIGHTING**

**Linarte® Outdoor Light** p. 18  
Linarte® Small p. 18  
Linarte® Medium p. 18

### **GARDEN WALL**

**Linarte® Icon** p. 24

## **GENERAL**

Colour selection aluminium p. 30  
Maintenance p. 32  
Warranty p. 33  
FAQs p. 35  
Renson® Academy p. 37  
Renson® pre- & after-sales p. 37



# WHY RENSON® GARDEN ELEMENTS?

As a trendsetter and pioneer in its field, Renson® is a global player in complete outdoor concepts. By choosing Renson® terrace coverings, you're not only choosing superior design and superior quality – you can also carry this singular style through to your landscape using Renson® Outdoor façade and garden elements. Thanks to continuous innovation and extensive testing, the design of our products is optimised continuously, the durability of our products is improved and your comfort is elevated to a higher level.

## **SLEEK DESIGN**

The distinctive design of the Linarte façade cladding is continued in the Renson® Outdoor Concept. Thanks to the garden elements, you can create a uniform look throughout your entire garden. With an eye for detail and a flawless finish, you can take the look of your garden to the next level.

## **CUSTOMISABLE**

All garden elements are available in more than 100 textured coating colours. For the seating and planter elements, you can choose from two sizes with Linarte Even or Block 30 versions and you can link different types together. The Linarte Outdoor Light is available in two heights and four different versions. The Linarte Wall is available in a customised version with Linarte Even, Block 30, or canvas and allows you to perfectly match your façade cladding or terrace covering.

## **SUPERIOR QUALITY AND DURABILITY**

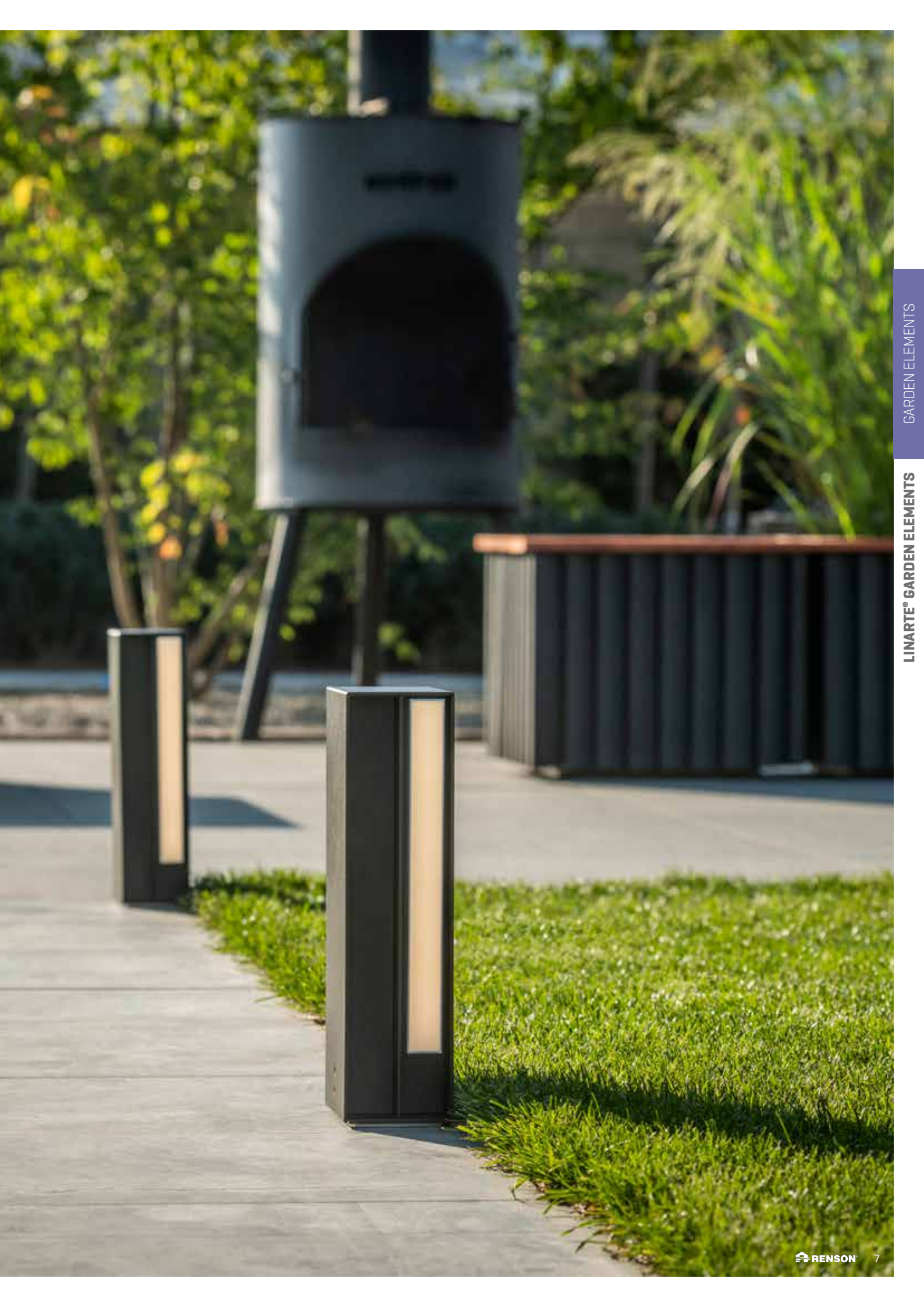
Renson® is a European trendsetter in the field of natural ventilation, external solar shading, and outdoor products. Our high-quality products are manufactured in-house using our ultramodern production facilities. We put our products through their paces in the most extreme situations to ensure the end result is flawless. This testing process means our customers can be rest assured they're investing in the highest quality. Thanks to the construction of aluminium profiles, you can be sure of durable and sturdy products that are resistant to the most extreme weather conditions. Furthermore, aluminium is also an environmentally conscious choice because aluminium has acquired the reputation of green metal through its 100% and infinite recyclability.

## **MAINTENANCE-FRIENDLY**

Our products are designed to retain their quality and ease of operation for many years, in all types of weather. Aluminium garden elements require hardly any maintenance. The powder-coated profiles retain their colour in all circumstances and are easy to clean.

# LINARTE® GARDEN ELEMENTS







# LINARTE® MODULO

Create a uniform look and feel throughout your garden with the Renson® Outdoor Concept range. Bench and planter in Linarte. Available in square [type '55'] and rectangular [type '97'] models. Several benches and planters can be combined in a single, longer unit [type 'combination'].



**THERMO-ES**

Planter surround or seat in thermo-es wood



**OPTION: INDIRECT LIGHTING**

Only for type 55 and 97



**OPTION: DIRECT LIGHTING**

Set of 4 LED strips 267 mm with transformer



**MODULAR**

Combine multiple planters or benches with each other



**PERMEABLE SCREEN**

**ADJUSTABLE**

Adjustable feet for stable placement

# LINARTE® MODULO

## Benches and planters

### GARDEN ELEMENTS



- Linarte bench with seat or planter surround in thermo-es finish
- Linarte profile Even or Block 30 profiles
- Choice of Renson® standard textured colours
- Modular lengths
- Bench and planter can be combined

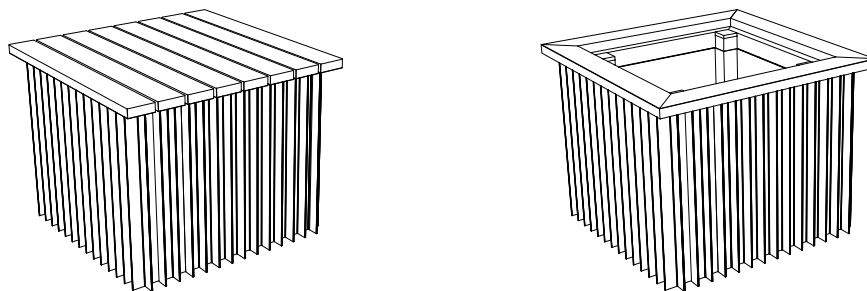
### TECHNICAL DETAILS

Dimensions	Modulo 55	Modulo 97	Modulo Combination
Width	554 mm	554 mm	See table page 13
Height	450 mm	450 mm	
Length	554 mm	974 mm	
Infill	Linarte Block 30 or Even profiles		
Profile orientation	Vertical		
<b>Accessories</b>			
Set of 4 pieces Linarte LED 267 mm, incl. power supply 24V and connection cables	✓	✓	✓
Indirect lighting set (incl. 24V power supply)	✓	✓	-
<b>Warranty*</b>			
Aluminium components	5 years		
Wood	5 years		
Aluminium profile powdercoating	10 years		
Lighting components	2 years		
<b>Materials</b>			
Frame and profiles	Aluminium		
Seating and planter surround	Thermo-es		

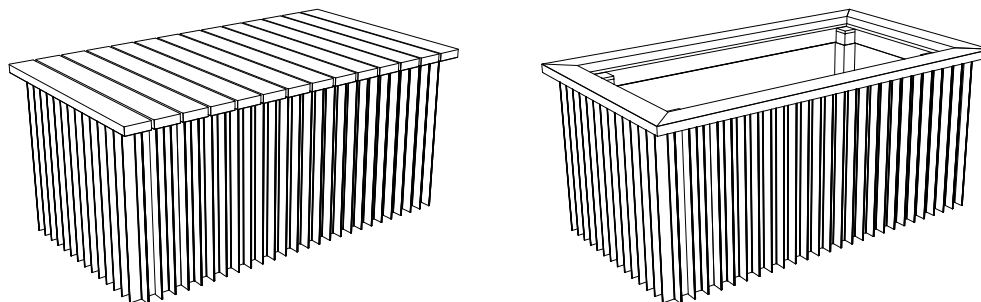
\* See our general warranty terms and conditions on page 33

## TYPES

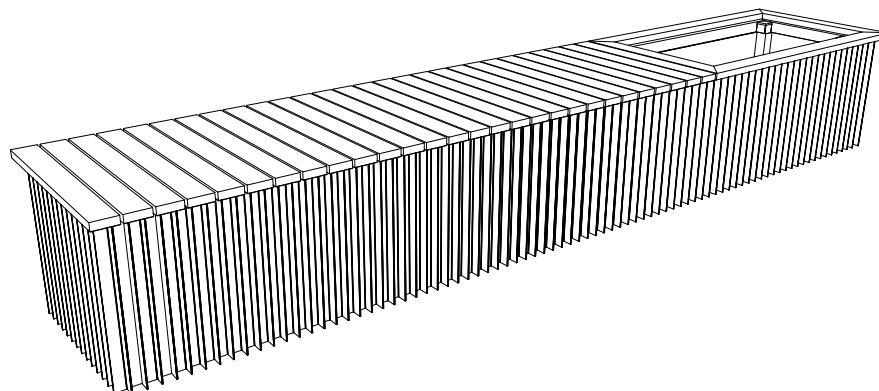
Modulo 55



Modulo 97



Modulo Combination



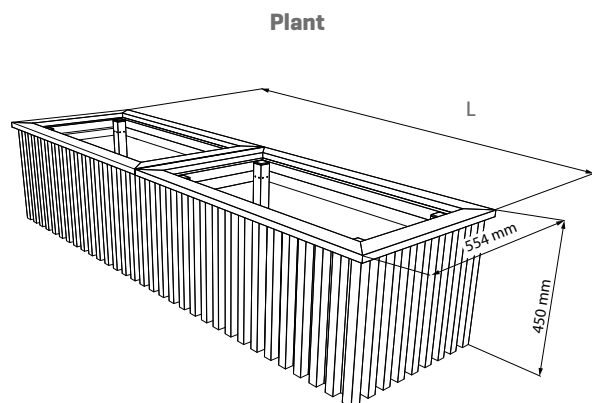
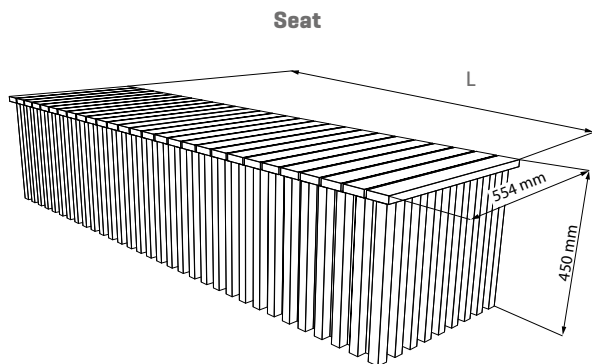
# LINARTE® MODULO

Benches and planters



## OVERVIEW POSSIBLE LENGTHS

Linarte Modulo



Modulo 97	Modulo 55	L (mm)
0	1	554
1	0	974
0	2	1114
1	1	1534
0	3	1674
2	0	1954
0	4	2234
2	1	2514
0	5	2794
3	0	2934
0	6	3354
3	1	3494
4	0	3914
4	1	4474
5	0	4894
5	1	5454
6	0	5874

# LINARTE® MODULO

Benches and planters

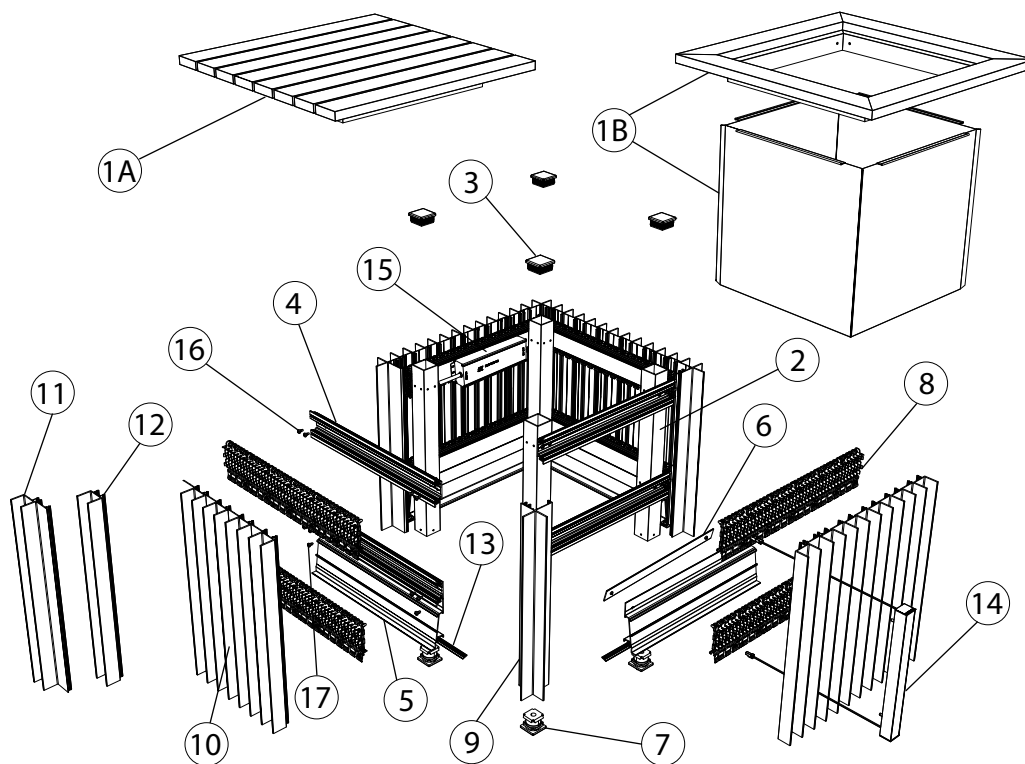
## ACCESSORIES OVERVIEW

Options Linarte Modulo

<p><b>Linarte Block 30</b></p> 	<p><b>Direct lighting</b></p> 
<p><b>Linarte Even</b></p> 	<p><b>Indirect lighting</b></p> 

## CONSTRUCTION SET COMPOSITION

Modulo 55 and 97



1A. Seat for Modulo bench or 1B. Planter surround and fabric for Modulo planter

2. Corner ducts

3. Plugs corner ducts

4. Supports

5. Support profiles

6. Plinths

7. Adjustable feet

8. Clips

9. Linarte corner profiles

10. Linarte basic profiles

11. Linarte fitting profile

12. Linarte changing profile

13. Indirect lighting (optional)

14. LED module (optional)

15. Power 24V

16. DIN 7504 M - St 4,2 x 9,5

17. DIN 7500 M4 x 8 - A2



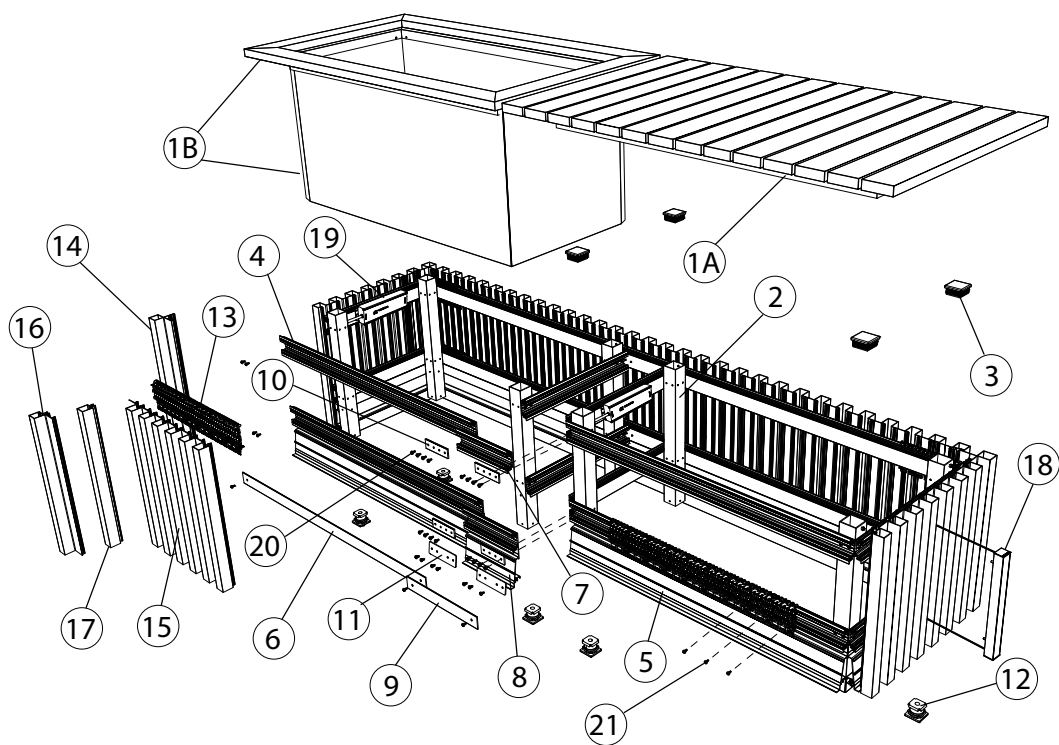
# LINARTE® MODULO

Benches and planters



## CONSTRUCTION SET COMBINATIONS COMPOSITION

Modulo Combination



- |  |                               |
|--|-------------------------------|
| 1A. Seat for Modulo bench                          | 12. Adjustable feet           |
| 1B. Planter surround and fabric for Modulo planter | 13. Clips                     |
| 2. Corner ducts                                    | 14. Linarte corner profiles   |
| 3. Plugs corner ducts                              | 15. Linarte basic profiles    |
| 4. Supports  | 16. Linarte fitting profile   |
| 5. Support profiles                                | 17. Linarte changing profile  |
| 6. Plinths   | 18. LED module [optional]     |
| 7. Coupling support                                | 19. Power 24V [optional]      |
| 8. Coupling support profile                        | 20. DIN 7504 M - St 4,2 x 9,5 |
| 9. Coupling plinth                                 | 21. DIN 7500 M4 x 8 - A2      |
| 10. Coupling plate supports                        |                               |
| 11. Coupling plate support profile                 |                               |

# LINARTE® OUTDOOR LIGHT

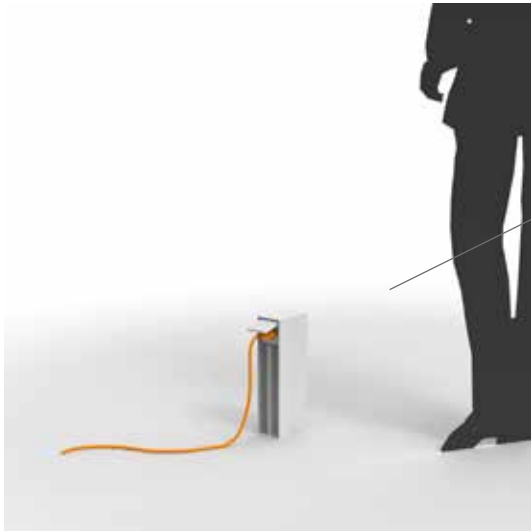
Create a uniform look and feel throughout your garden with the Renson® Outdoor Concept range. LED lighting with Linarte EVEN design. Available in two heights and four different versions: with one or two LEDs, with or without plug socket.





### WATERPROOF LED

Cast in resin. IP67, Lifespan > 60,000 hours



### OPTION: NIKO HYDRO PLUG SOCKET

230V IP44 with earthing pin (type E)  
or side earthing (type F)



### 2 TYPES, 4 VERSIONS

# LINARTE® OUTDOOR LIGHT

## Garden lighting

### GARDEN ELEMENTS



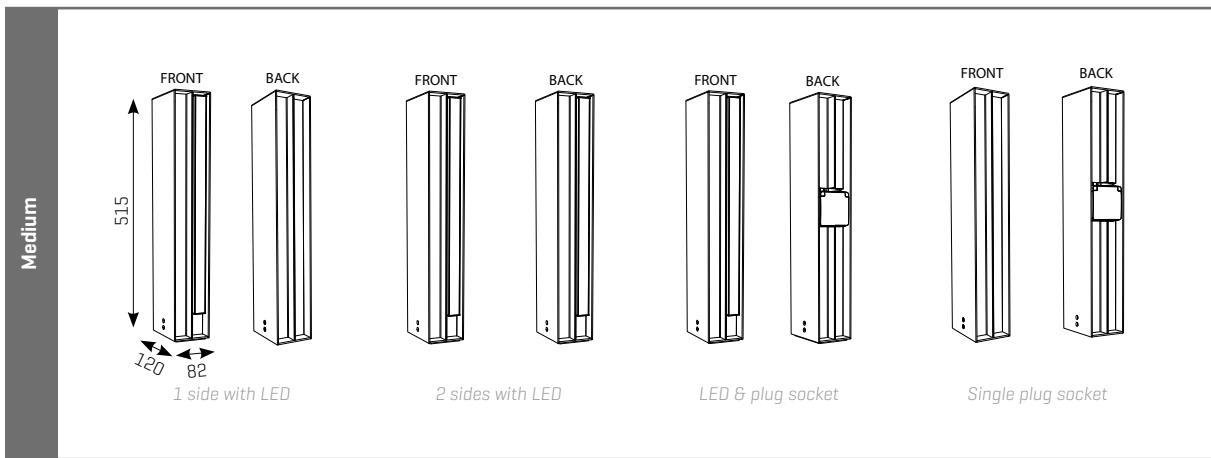
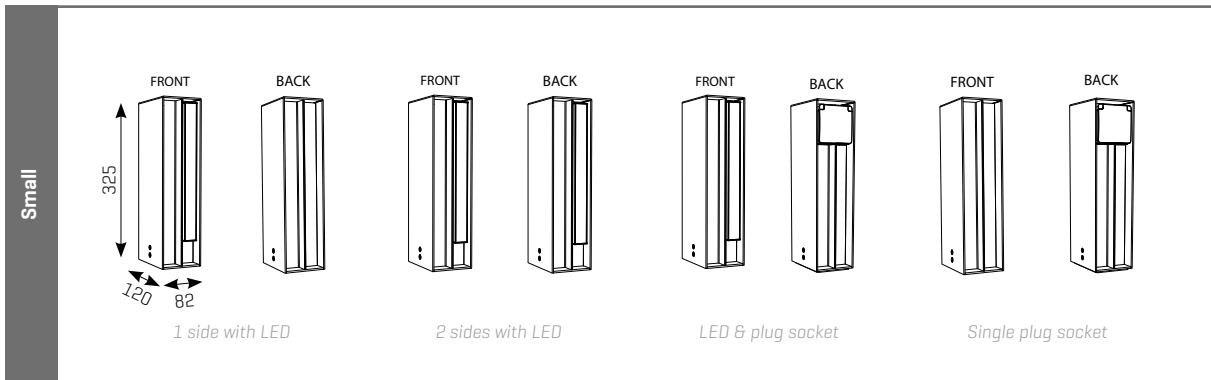
- Version with Linarte Even profiles
- Single or double-sided LED lighting
- With or without plug socket
- Available in 2 lengths
- Choice of Renson® standard textured colours
- Fixation with mounting plate or ground spike

### TECHNICAL DETAILS

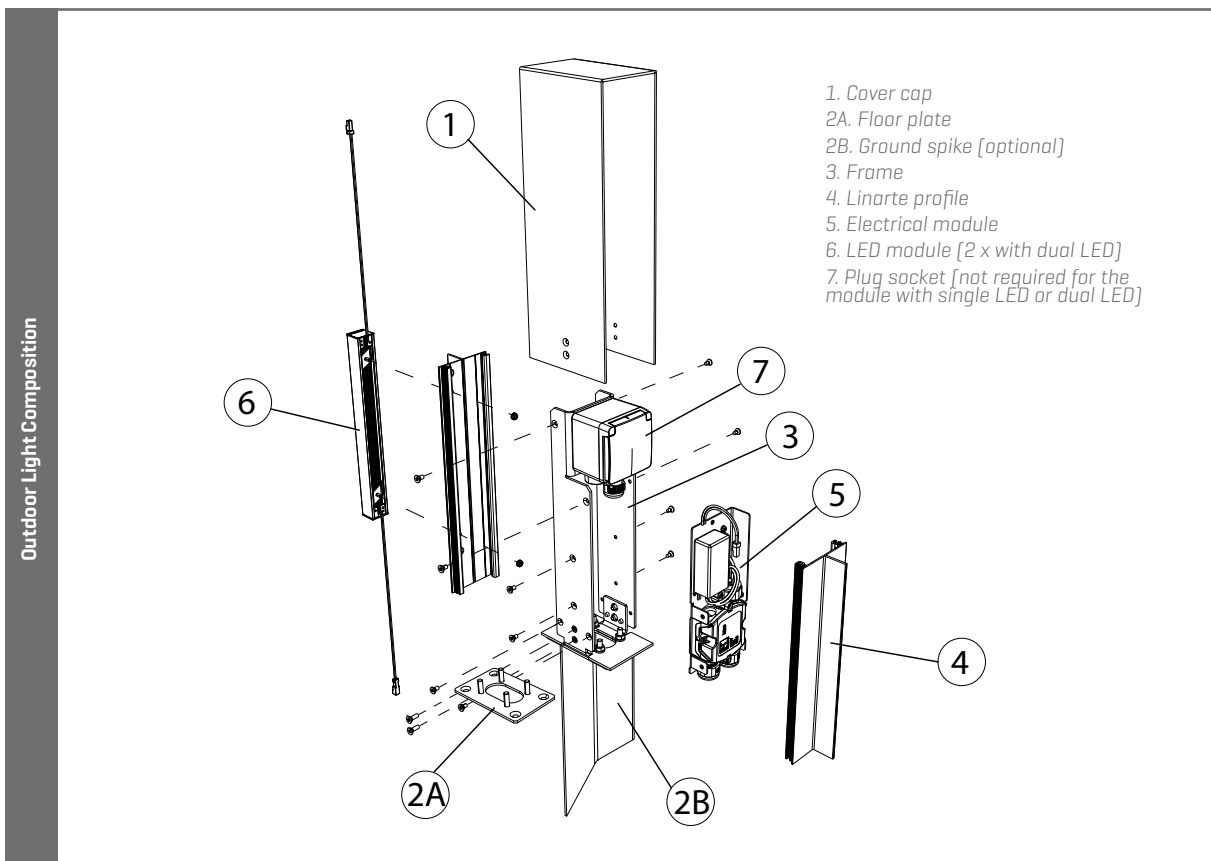
Dimensions	Small	Medium
Width	82 mm	82 mm
Depth	120 mm	120 mm
Height	325 mm	515 mm
Profile	Linarte Even	
Profile orientation	Vertical	
Materials		
Casing	Aluminium 2.5 mm powder coated	
Frame	Aluminium 3 mm	
Footplate	Stainless steel 304	
Assembly spike [optional]	Stainless steel 316L	
LED	Extruded aluminium, white powder coated. LED encapsulated in opal PU resin.	
LED		
Length	267 mm	455 mm
Connection	230V	
Power	24V, included	
Dimmable	No	
Watt	1,5W	2,63W
Colour temperature	3500 K	
Ambient temperature Ta.	Max. 40°C	
Operating temperature Tc.	Max. 70°C	
Storage temperature Ts.	Max. 85°C	
Lumen / metre	370	
IP	IP67	
Lifespan	> 60,000 hours	
Inspection	cETL	
Plug socket [optional]		
Plug socket Niko Hydro black	IP44	
Earthing	Type E [pin earthing] Type F [side earthing]	
Connection	230V	
Warranty		
Structure	5 years	
Lighting components	2 years	
Aluminium profile powdercoating	10 years	
Colour and shine	5 years	
Operating methods		
Connectable to switch		

\* See our general warranty terms and conditions on page 33

## TYPES



## COMPOSITION



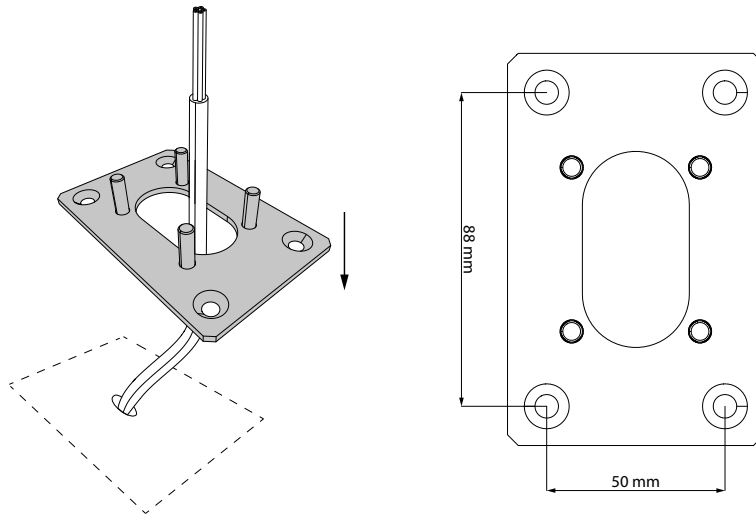
# LINARTE® OUTDOOR LIGHT

Garden lighting

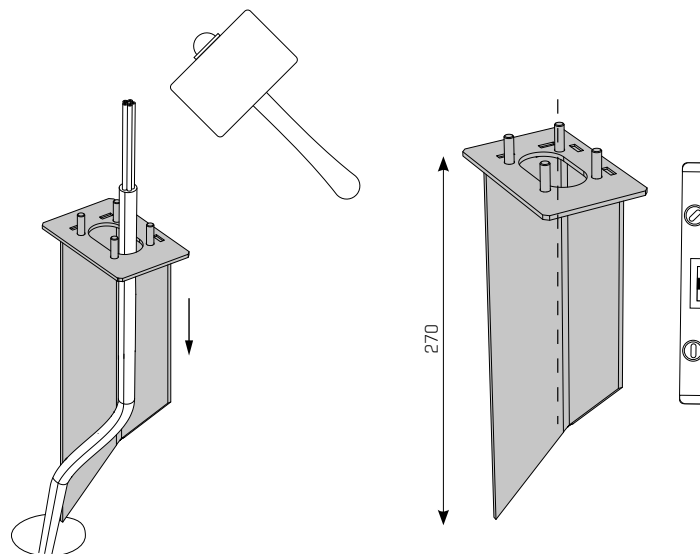


## FIXATION

Standard: mounting plate



Option: ground spike





# LINARTE® ICON

With the Linarte Icon, you can add partitions or privacy walls in your garden and create a unique and uniform Outdoor look. 'Linarte Icon' is an architectural wall customised to your specifications (both in terms of height and width) clad with Linarte profiles or finished with a taut Canvas screen.





### CUSTOMISABLE

Choice of finishing with Linarte Block or Even, Canvas screen or exclusive finishing



### CUSTOMISATION

Width and height of your choosing



### TAUT CANVAS SCREEN

Gives a warm look and feel

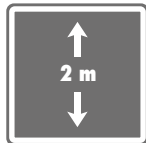
# LINARTE® ICON GARDEN WALL

Free-standing wall with vertical lines with Linarte profiles and/or a taut canvas screen.

GARDEN ELEMENTS



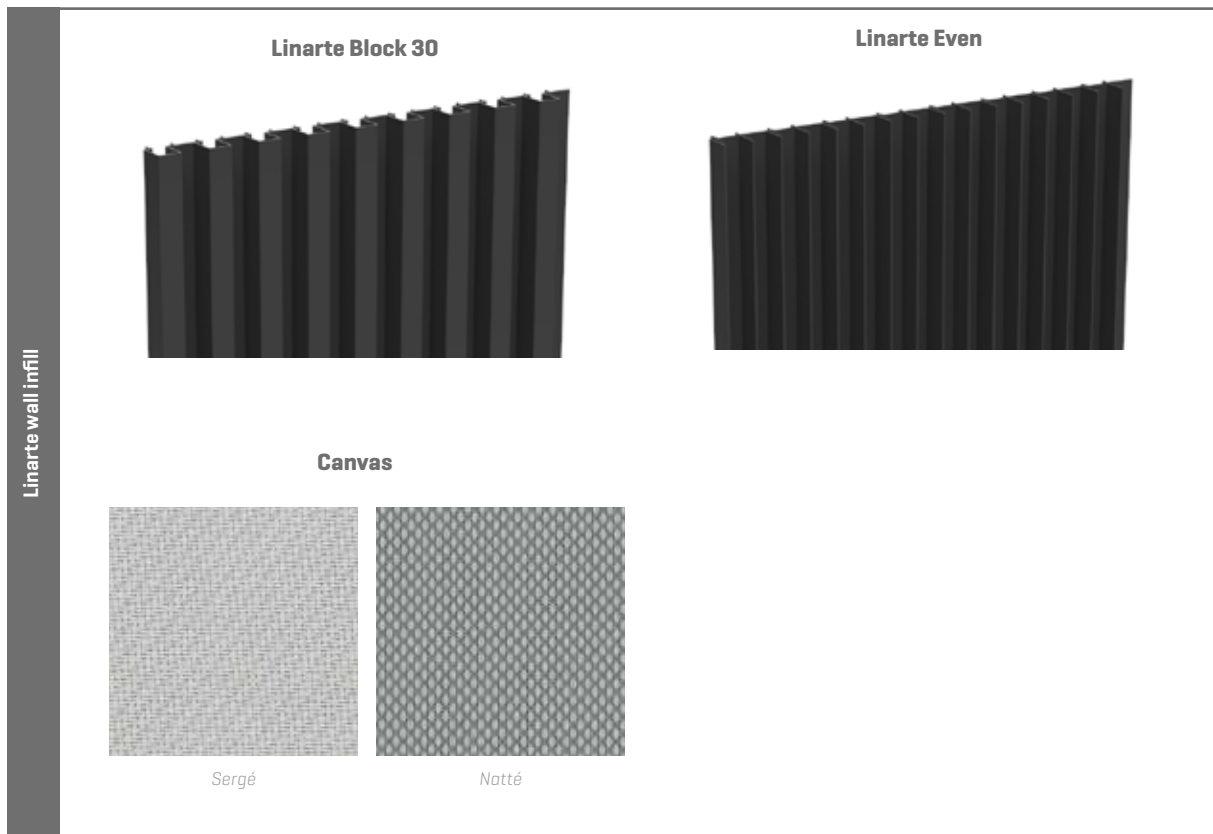
- Free-standing wall up to 2 m high
- Single or double-sided clad with Linarte and/or canvas screen
- Multipurpose: eye-catcher, garden wall, privacy
- No visible connecting elements



## TECHNICAL DETAILS

Dimensions	
Width	Min. 1260 mm - 6000 mm
Height	Min. 400 mm - max. 2000 mm
Infill	Side 1: Linarte profiles Block 30 or Even Side 2: Linarte Block 30 or Even profiles, sleek taut canvas screen of your choosing (Sergé or Natté) or excl. finish
Profile orientation	Vertical
Supporting profiles	Steel posts 60 x 60 x 4 mm
Spacing between 2 support profiles: Height	Tmax: 1200 mm 1000 mm 800 mm
Depth in the ground (for concrete)	750 mm
Testing and certificates	
Wind guarantee	Up to 100 km/h
Warranty	
Product warranty	5 years
Aluminium profile powdercoating	10 years
Colour and shine	5 years
Operating methods	
Not applicable	

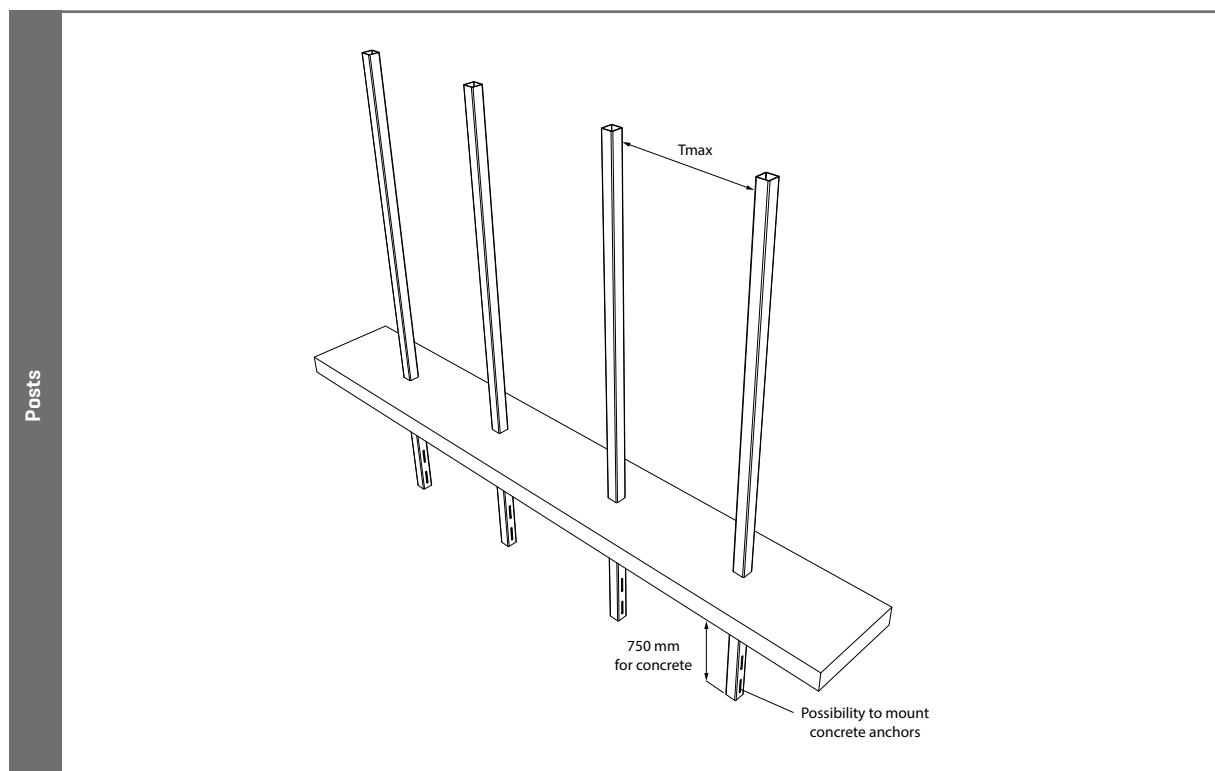
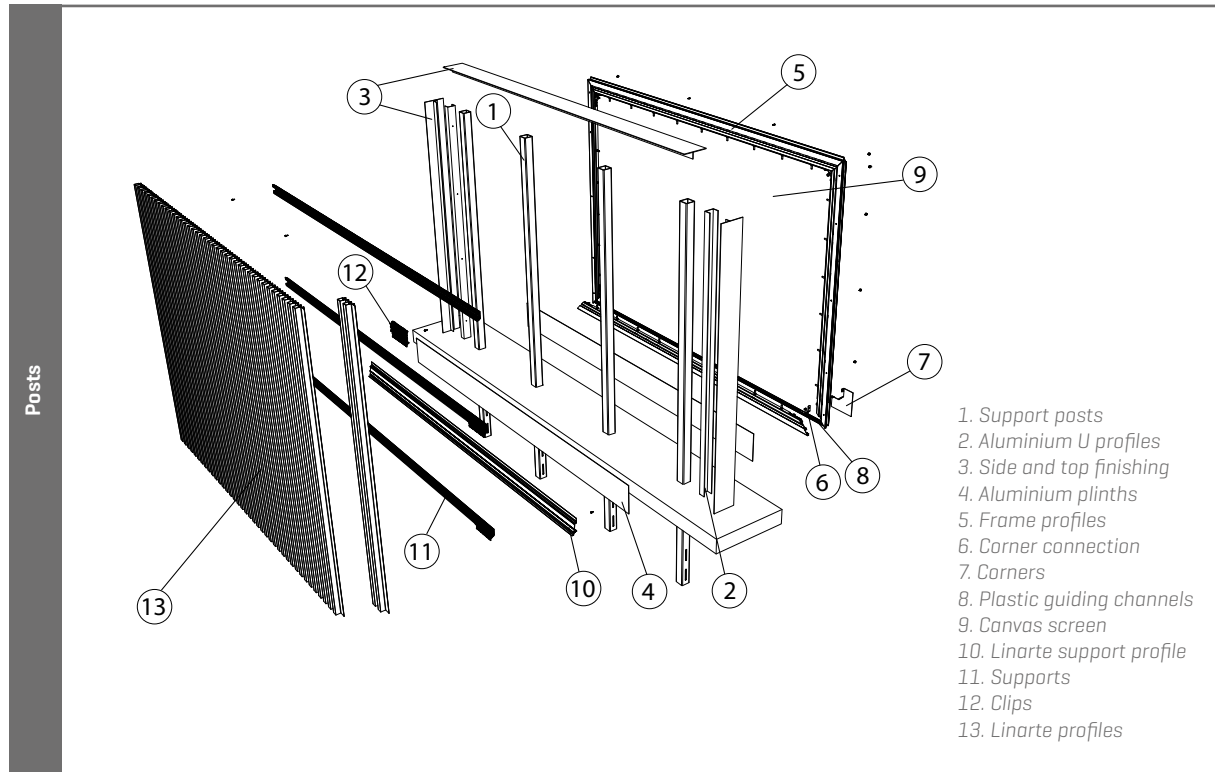
## TYPES OF INFILL



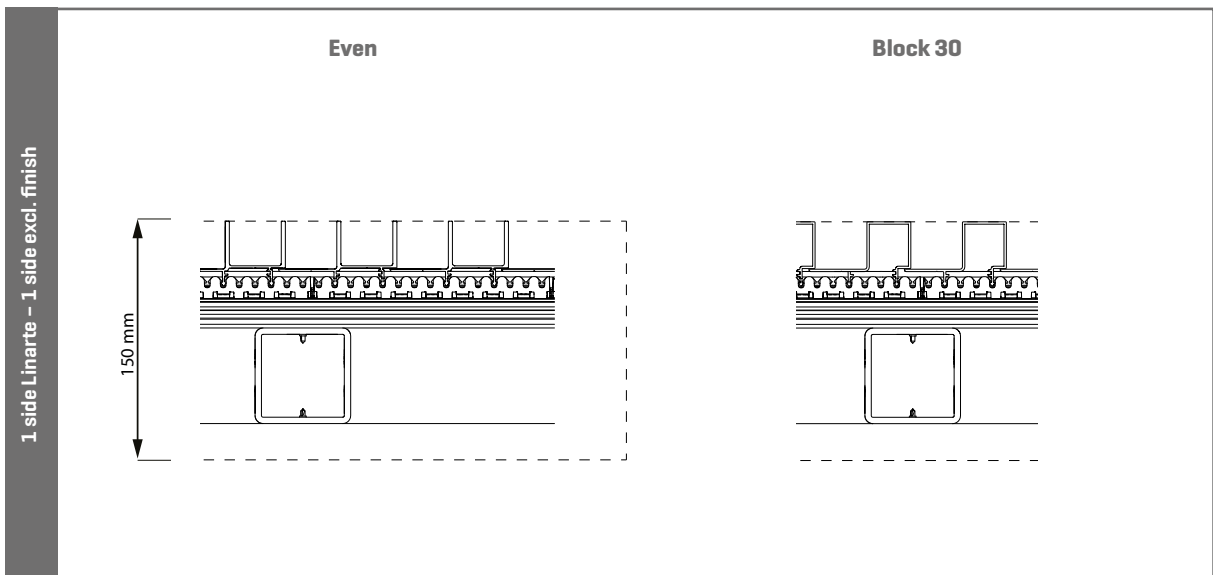
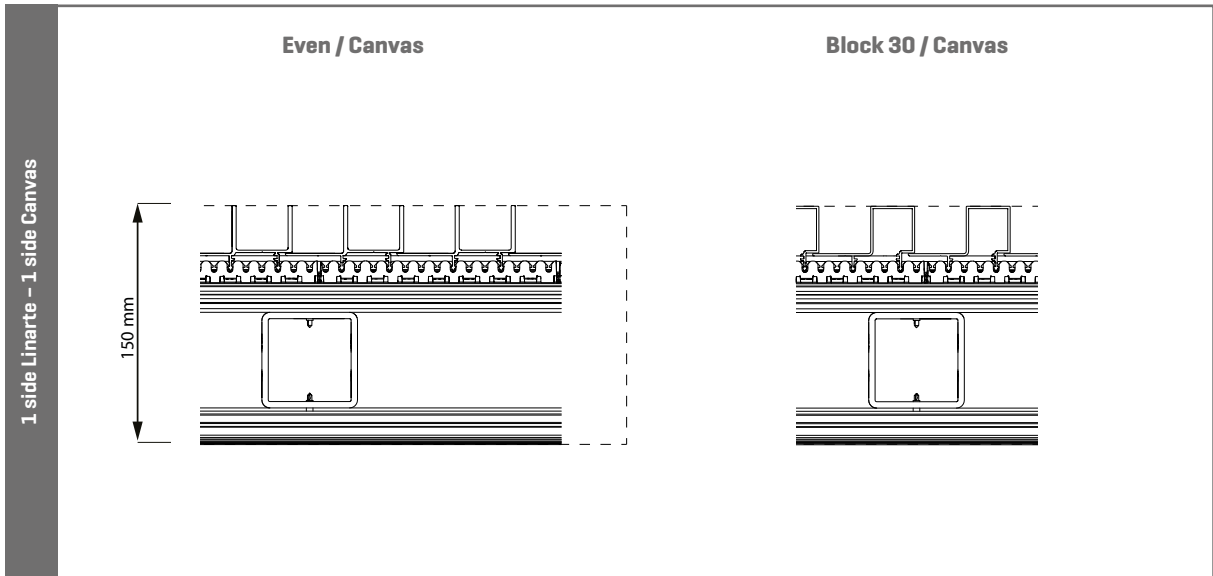
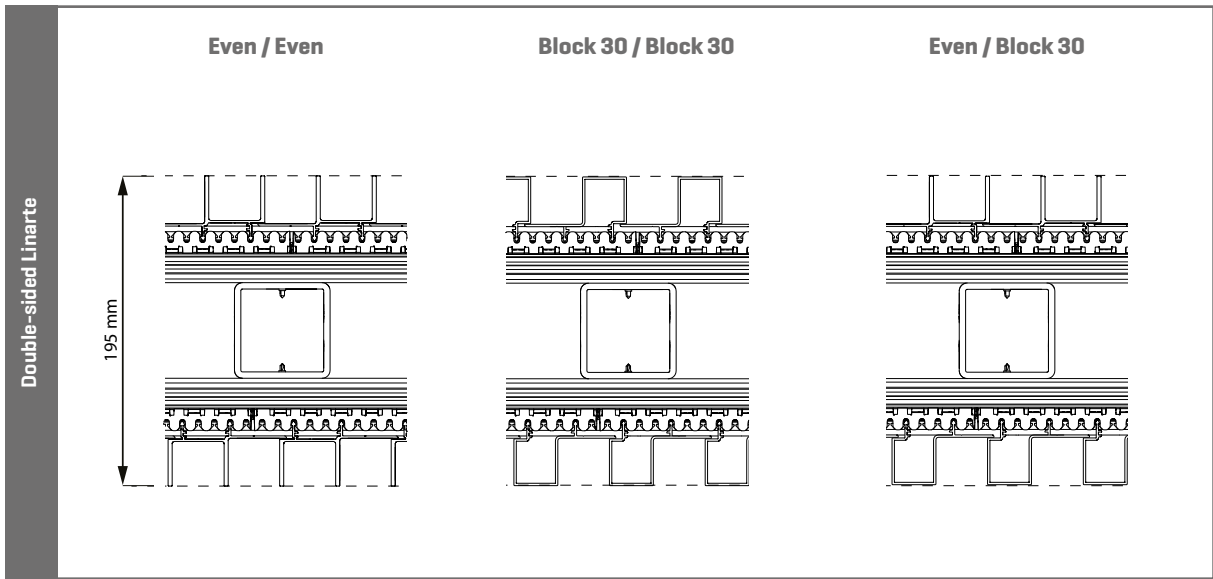
# LINARTE® ICON GARDEN WALL

Free-standing wall with vertical lines with Linarte profiles and/or a taut canvas screen.

## COMPOSITION



# WALL THICKNESS









# MAINTENANCE

Your garden elements will be fully exposed to the elements for many years. To ensure you can make the most of your Renson® garden elements at all times, we recommend regular maintenance, i.e. once or twice a year. This also makes the garden elements last longer.

## Maintenance is easy with the Renson® Maintenance Set

The following are important:

- The structure is made using powder-coated aluminium. Annual cleaning with the **Renson® Maintenance Set** will ensure that the intense colour of your products is maintained for years and provides extra protection from acid rain, sea air, and UV rays. We recommend carrying out maintenance at least twice a year in coastal or wooded areas.
- **Renson® 'Clean'** is a product with strong cleaning and degreasing properties that acts against the most common types of natural dirt, such as dust, oily rainfall, grease stains, moss, insect spores and so on. This product cannot be compared to other cleaning products on the market. It penetrates deeply and 'lifts out' the dirt. **Renson® 'Clean'** can also be used to clean polyester roof fabrics and vertical glass fibre fabric screens. After cleaning, make sure you protect your aluminium structure using **Renson® 'Protect'**. This product leaves a protective film that enables you to clean the surface by simply wiping it down using a small amount of **Renson® 'Clean'**. It also protects the aluminium from acid rain, sea air and UV rays, and ensures the colour remains just as intense.
- Do not use either product in direct sunlight or in hot weather. The product's quick-drying action can leave stains on the structure or the fabric screen. Do not use corrosive or aggressive products, scouring pads or other scouring products. Do not use high-pressure equipment in any case whatsoever.



Renson® Maintenance Set

# WARRANTY

All materials we use are high quality and have been modified for their intended purpose.

As a manufacturer, we guarantee:

Support structure	Lighting components	Coating gloss and colour	Coating adhesion
10 years	2 years	5 years	10 years*

\* In areas < 500 m from a coastline: 5-year warranty on adhesion





# FAQ AND TIPS

## How is the Modulo constructed?

This consists of aluminium ducts that must be connected to each other by means of the Linarte support profiles. This is where the Linarte profiles are clipped on. It is therefore a frame that is provided with a thermo-es edge finish [seat or planter surround] at the top. If desired, the supplied water-permeable Soltis plant bag can be attached to the planter.

## In which finish are the garden elements available?

The garden elements are only available in powder-coated Renson® standard textured colours.

It is not possible to supply the garden elements in an anodised finish, nor powder-coated with pre-anodisation.

The aluminium profiles undergo a Seaside Quality A pre-treatment at no extra cost. Seaside Quality A is a pre-treatment on the powder coating line in which a surface layer of at least 2 g/m<sup>2</sup> is removed. This extra pre-treatment protects our aluminium profiles against the effects of aggressive environments, such as coastal areas or heavy industries.

When it comes to the Linarte Icon's canvas, you can choose from the Sergé and Natté fabrics from the Outdoor Side canvas sampler B0000114. Metal, Privacy, and Staccato are not offered.

## Are there standard models or is it always custom-made?

- Only the Modulo and Light have standard models. Customisation is not possible.
- The Linarte Icon is always made to measure and according to your wishes, provided that the minimum and maximum dimensions are respected.

## What is the position of the canvas seam on the canvas Linarte Icon version?

If applicable, the seam is always horizontal [as low as possible].

## Are multiple LED colours available?

The LEDs are only available in warm white light.

## Are the LEDs of the Linarte Light dimmable?

The LEDs of the Linarte Light are not dimmable. They can be connected to 230V, with built-in 24V power supply.

## Maintenance: Do I need any maintenance on the garden elements?

- Yes, you can use the maintenance set for the maintenance of aluminium.
- The wood does not need any specific treatment. If you wish to obtain an even ageing, there are specific products in the market for this purpose.
- The user must use and maintain the garden elements with due care, which includes regular cleaning and maintenance.
- Clean the garden elements at least once a year: first remove loose dirt with a brush or vacuum cleaner. You can then use a cleaning product [avoid aggressive, corrosive products] and remove the remaining dirt with lukewarm water. Always rinse the screen after cleaning. Do not clean in direct sun: quick-drying soapy water can leave stains on the screen. Never clean using a high-pressure cleaner.



# RENSON® ACADEMY

## **Why?**

The proper functioning of our products does not just depend on their quality, but also on proper fitting and configuration by the installer. Consequently, as a manufacturer, we need to ensure our installers are experts in what they do.

## **How do we do this?**

Installers receive intensive technical training at our training centre. Our experienced trainers demonstrate exactly how to install everything correctly.

## **What is the result?**

Well-functioning systems that provide users with a comfortable and healthy environment and that meet all technical and quality requirements.

## **More info?**

[www.renson.eu/training](http://www.renson.eu/training)

# RENSON® PRE- & AFTER-SALES

## **Why?**


If you have a special project, we'll work with you to find a suitable solution. You can also contact us with any questions you may have about an installation.

## **How do we do this?**

A team of technically trained staff is at hand to provide the right answers to your questions.

## **Result?**

A suitable solution and excellent after-sales service for every project.



Get inspired in our showroom  
EXIT5 at Waregem along the E17

E X I T 5

EXPERIENCE, INNOVATION & TECHNOLOGY @ RENSON

## WE'D BE HAPPY TO HELP YOU!

Our head office - the elegant building designed by the late architect Jo Crepain, has been the visiting place of our company for many years now - is now being renovated. The bottom part of the building now has an imposing glass façade. Behind the façade, there is a new 'Customer Centre' with reception rooms for customers, conference rooms, and an auditorium, where large groups of more than 300 people can participate in presentations. In case of smaller groups, this auditorium can also be divided into 3 separate rooms.

The highlight of the project is the new showroom of 1250 m<sup>2</sup>, where professional customers as well as private individuals can be accommodated. Apart from a showroom for Renson's various innovative solutions and concepts, it is planned to make this room a knowledge centre, where customers can walk in and ask questions about ventilation, heating, sun protection, ventilative cooling, acoustics, interior, etc., .... In short: everything to provide the home with all the necessary comfort. There is also the possibility to view the solutions in practice in show houses located nearby.

*For more information about the network of Renson® ambassadors, please visit our website at: [www.renson.eu](http://www.renson.eu)*

# RENSON®: YOUR PARTNER IN VENTILATION, SUN PROTECTION AND OUTDOOR CONCEPTS

- **Creating healthy spaces**

From 1909, we've been developing energy efficient solutions assuring a healthy and comfortable indoor climate. Our headquarters - built according to the 'Healthy Building Concept' - is a beautiful example portraying our corporate mission.

- **No speed limit on innovation**

A multidisciplinary team of more than 90 R&D employees continually optimize our products and develop new and innovative concepts.

- **Strong in communication**

Contact with the customer is of the utmost importance. A group of 100 in-the-field employees worldwide and a powerful international distribution network are ready to advise you on site. EXIT 5 at Waregem gives you the possibility to experience our products on your own and provides necessary training for installers.

- **A reliable partner in business**

We can guarantee our customers optimal quality and service thanks to our environmentally friendly and modern production sites (with automated powder coating line, anodisation line, uPVC injection molding machinery and mold making shop) covering an area of 95.000 m<sup>2</sup>.







RENSON® Headquarters  
Maalbeekstraat 10, IZ 2 Vijverdam, B-8790 Waregem, Belgium  
Tel. +32 (0)56 62 71 11  
info@renson.eu  
www.renson.eu

