



atriadesigns.ca
604-428-1818
sales@atriadesigns.ca

MODELS

FULL BLACK



Black

RAL9005
Black

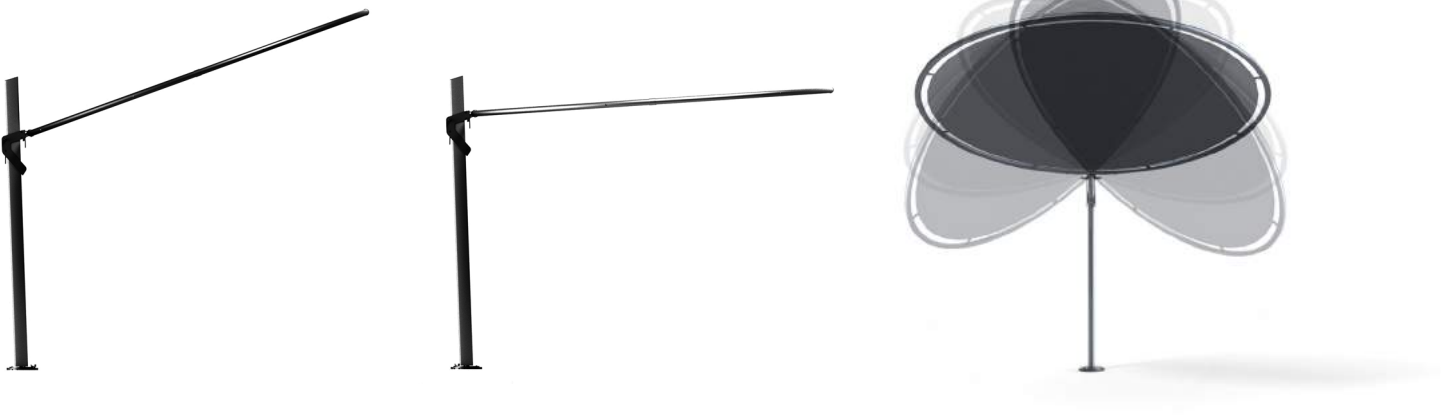
ARCHITECTURE



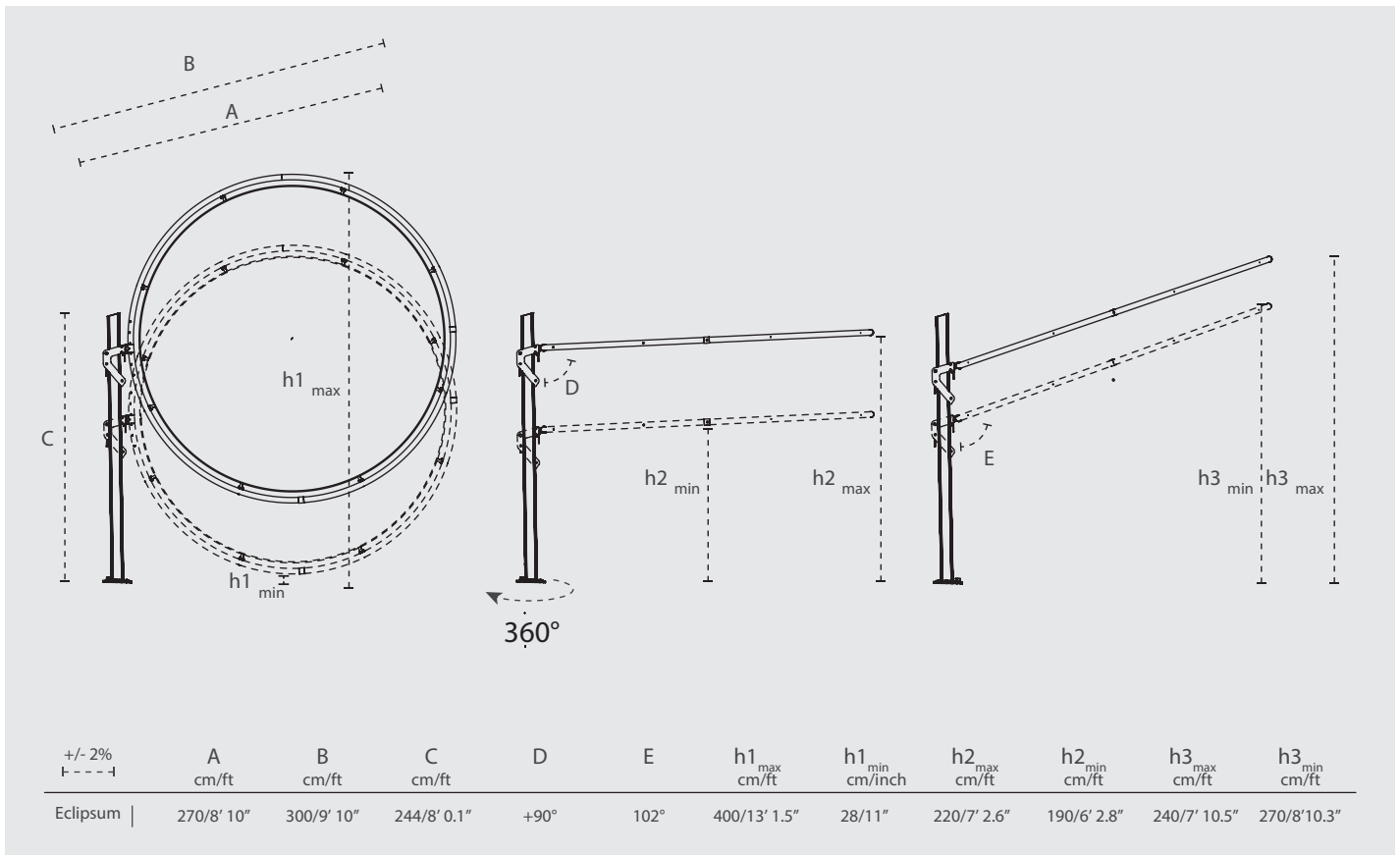
Marble

RAL 9018
Papyrus White

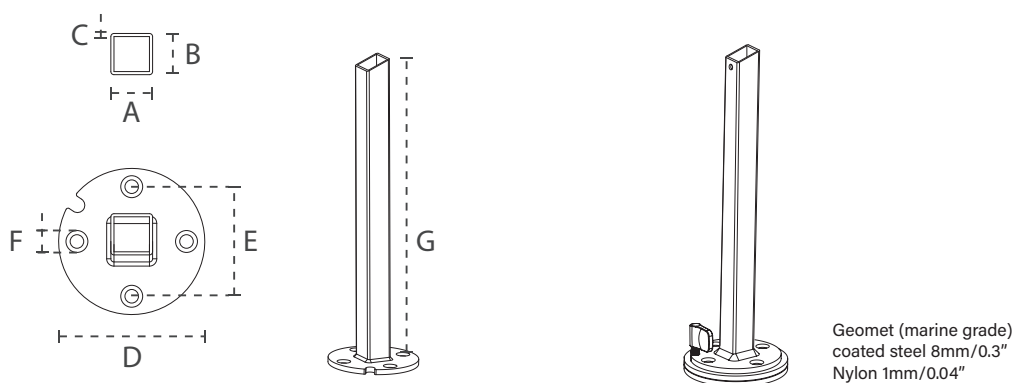
POSITIONS



DIMENSIONS



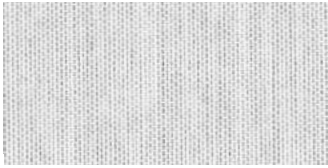
ROUND SUPPORT



	A mm/inch	B mm/inch	C mm/inch	D mm/inch	E mm/inch	F mm/inch	G mm/inch
Round support	40/1.57"	40/1.57"	3/0.12"	140/5.5"	105/4.1"	11/0.43"	490/17.3"

For non-permanent base options - see spec sheet Installation Options

MATERIALS



FABRIC

Colorum – 100% Acryl 260 gr/m²
More details – see spec sheet Fabrics



RIBS

Glass fiber Ø 6mm/0.23"



POLE

Aluminum powder coated RAL 9005
Black or RAL 9018
Papyrus White

OTHER MATERIALS

Handle: stainless steel plate 136 (6mm/0.23")
powder coated RAL 9005 TEC
Hooks: powder coated RAL 9005 TEC
Ring fixation: powder coated RAL 9005 TEC

For projects – consult Umbrosa for powder coating finish options (RAL).
Contact us for the details on the MOQ.

PACKAGING & TRANSPORT

Eclipsum UX	L (cm)	W (cm)	H (cm)	Weight (kg)	L (")	W (")	H (")	Weight (lbs)
Umbrella box	247	53	39	50	8'1.2"	1'8.9"	1'3.4"	121
Base L UX	88.8	88.8	15	32 kg	2'11"	2'11"	5.9"	70.4
Base L UX package	90	90	16	33 kg	2'11.4"	2'11.4"	6.3"	72.6

NICE TO KNOW

- Spare parts available
- Designed and manufactured in Belgium
- Warranty between 10 and 2 years, please consult our warranty policy at www.umbrosa.com
- Download owner's manual (QR-code included), also available at www.umbrosa.com
- Storage bag included (PU coated fabric)
- Wind speeds up to 5 beaufort, 30 km/h, 18 mph when base is permanently fixed
- Tested at TU Delft

SAFETY STATEMENTS & WARNINGS

- Product is suitable for light wind and/or light rain only.
- Position product in direction of wind as recommended in user manual.
- Do not use product in inclement weather, such as strong wind, thunderstorms, heavy rain or snow, and make sure that the umbrella is closed and stored in advance.
- Never allow the umbrella to flap in the wind. This could cause personal injury, damage to personal property, damage to umbrella and/or umbrella canopy.
- Close product and secure strap when not in use.
- Do not use product without its base or unless attached to building structure, and keep umbrella secured to umbrella base or mount at all times.
- Do not use product over or near harsh chemicals or open flames.
- Place product on stable and level surface.
- Do not allow children to assemble or operate product.
- Do not leave product unattended.
- Store product indoors during winter and extreme weather conditions.
- When adjusting or assembling the umbrella or umbrella base, make sure fingers, toes or any other parts of the body are clear from moving parts. Failing to do so may result in serious injury.
- Only use Umbrosa replacement parts.
- Read owner's manual.
- Any modifications to the product or failure to follow recommended care will void the warranty.
- Wind damage is not covered under our limited warranty.