



atriadesigns.ca
604-428-1818
sales@atriadesigns.ca

MODELS



WALL



MONO



DUO



MULTI

VERSIONS

Paraflex Neo holder

Contemporary – SQ 230 / R 300 / SQ 190 / R 270



200 (6'7")



Paraflex classic holder*



185 (6')



*MOQ only

POSITIONS



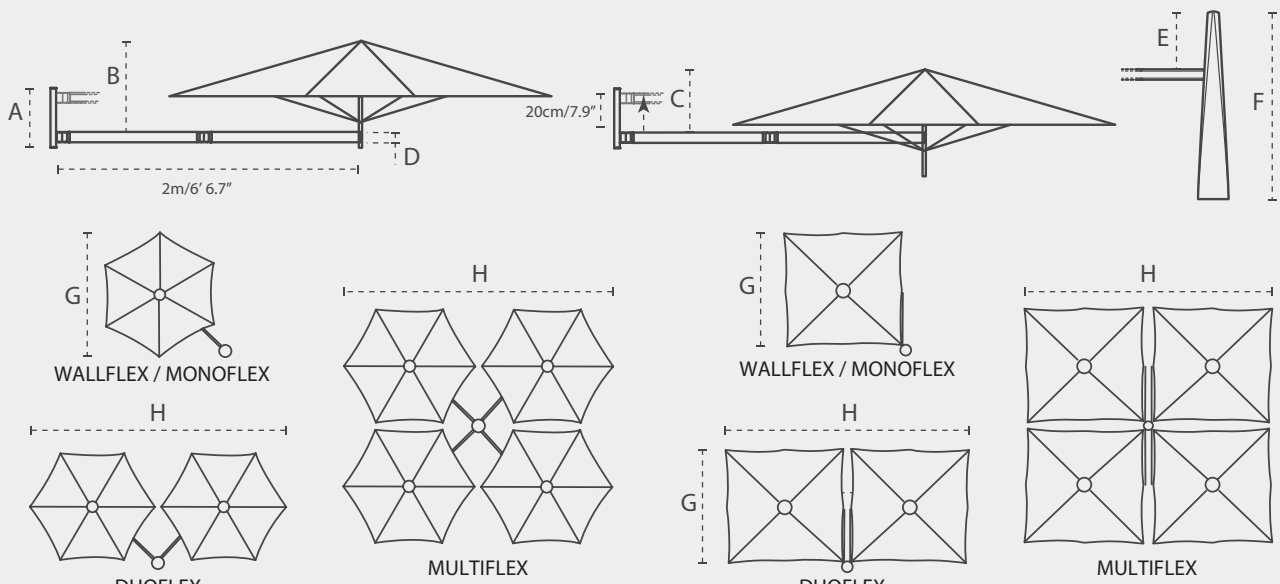
COLORS

	Marble	Curacao	Mint	Blush	Pepper	Almond	Sand	Blue Storm	Flanelle	Black
COLORUM										
SOLIDUM										

All colors of the fabric range furniture grade Solids' (no stripes or patterns) are available on special request with a minimum order quantity of 10 pcs. Contact Umbrosa for more information.

DIMENSIONS

NEO



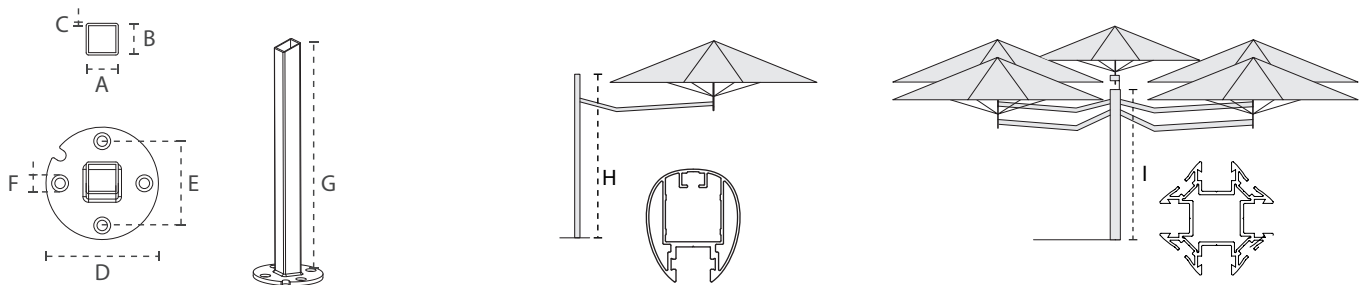
	+/- 2% T-----T	A cm/inch	B cm/ft	C cm/ft	D cm/inch	E cm/ft	F cm/ft	G cm/ft	H cm/ft
	2.7m/8' 10"	34/13.4"	70/2' 3.5"	45/1' 6"	6/2.4"	45/1' 6"	135/4' 5"	270/8' 10"	540/17' 9"
	3m/9' 10"	34/13.4"	70/2' 3.5"	45/1' 6"	6/2.4"	45/1' 6"	150/4' 11"	300/9' 10"	600/19' 8"
	1.9m/6' 3"	34/13.4"	70/2' 3.5"	45/1' 6"	6/2.4"	45/1' 6"	190/6' 3"	380/12' 6"	
	2.3m/7' 6.6"	34/13.4"	70/2' 3.5"	45/1' 6"	6/2.4"	45/1' 6"	163/5' 4"	230/7' 7"	460/15' 1"

ROUND SUPPORT AND POLE OPTIONS

ROUND SUPPORT

SINGLE POLE

MULTI POLE

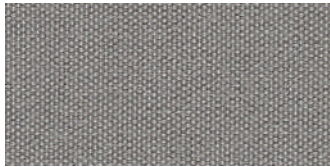


Material: Galvanised steel 8mm/0.3"

	A mm/inch	B mm/inch	C mm/inch	D mm/inch	E mm/inch	F mm/inch	G mm/inch	H cm/ft	I cm/ft
Round support	40/1.6"	40/1.6"	3/0.12"	140/5.5"	105/4.1"	11/0.43"	490/19"	220/7'3"	230/7'6"

For non-permanent base options – see spec sheet Installation Options

MATERIALS



FABRIC

Solidum – 100% Acryl 250 gr/m²
 Colorum – 100% Acryl 260 gr/m²
 More details – see spec sheet Fabrics



RIBS

Naturally anodized aluminum profiles



POLE

Naturally anodized aluminum

OTHER MATERIALS

Grip: PA6 30% Glass fiber
 Gear plates of stainless steel
 Umbrella parts: PA6
 Hinges: marine grade, stainless steel (316)

For projects – consult Umbrosa for powder coating finish options (RAL).
 Contact us for the details on the MOQ.

PACKAGING & TRANSPORT

PARAFLEX	L (cm)	W (cm)	H (cm)	Weight (kg)	L (ft)	W (ft)	H (ft)	Weight (lbs)
Box Neo holder 2m/6'6.7"	108	16	18	5.31 kg	3'6.5"	6.3"	7.1"	11.71
Box single pole 2,2m/7'3"	228	10	10	5.81 kg	7'5.8"	3.9"	3.9"	12.81
Box multi pole 2,3m/7'6"	235	13	13	9 kg	7'8"1/2	5.1"	5.1"	19.84
Umbrella	max. 190	16	16	2.62-4.06kg	Max 5'10.9"	6.3"	6.3"	5.78-8.95
Base L STD package	90	90	16	18.5 kg	2'11.4"	2'11.4"	6.3"	40.7
Base M package	90	90	11	18 kg	2'11.4"	2'11.4"	4.3"	39.6

NICE TO KNOW

- Spare parts available
- Designed and manufactured in Belgium
- Warranty between 10 and 2 years, please consult our warranty policy at www.umbrosa.com
- Download owner's manual (QR-code included), also available at www.umbrosa.com
- Storage bag optional (PU coated fabric)
- Wind speeds up to 6 beaufort, 50 km/h, 31 mph when base is permanently fixed (for details, please check our wind spec sheet)
- Tested at TU Delft

SAFETY STATEMENTS & WARNINGS

- Product is suitable for light wind and/or light rain only.
- Position product in direction of wind as recommended in user manual.
- Do not use product in inclement weather, such as strong wind, thunderstorms, heavy rain or snow, and make sure that the umbrella is closed and stored in advance.
- Never allow the umbrella to flap in the wind. This could cause personal injury, damage to personal property, damage to umbrella and/or umbrella canopy.
- Close product and secure strap when not in use.
- Do not use product without its base or unless attached to building structure, and keep umbrella secured to umbrella base or mount at all times.
- Do not use product over or near harsh chemicals or open flames.
- Place product on stable and level surface.
- Do not allow children to assemble or operate product.
- Do not leave product unattended.
- Store product indoors during winter and extreme weather conditions.
- When adjusting or assembling the umbrella or umbrella base, make sure fingers, toes or any other parts of the body are clear from moving parts. Failing to do so may result in serious injury.
- Only use Umbrosa replacement parts.
- Read owner's manual.
- Any modifications to the product or failure to follow recommended care will void the warranty.
- Wind damage is not covered under our limited warranty.

The content of this document, in particular the mentioned models, is protected by copyrights and/or design rights. The present document and its content is communicated to you for information purposes only. Any partial or total reproduction or any other use without our prior written permission is strictly prohibited. This technical sheet remains subject to possible changes. Of course we do our best to eliminate all mistakes, but Umbrosa is not responsible for the errors in the documentation of products. All measurements are approximate and are provided for informational purposes only.